

SNOOP

Design by Karim Rashid 2011



Sgabellino-tavolino | Stool-low table | Schemel-Tischchen
Tabouret-table basse | Taburete-mesita

Materiale | Material | Material | Matériau | Material:

Polietilene (PE) stampato in rotazionale.

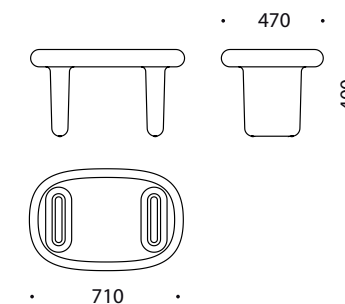
Rotomoulded polyethylene (PE).

Polyethylen (PE), hergestellt im Rotomoulding-Verfahren.

Polyéthylène (PE) moulé par rotomoulage.

Polietileno (PE) moldeado en rotomoulding.

NP01



100%

2 anni
years
garanzia
guarantee



Colori | Colours | Farben | Couleurs | Colores

Bianco White Weiß Blanc Blanco	
Grigio Basalto Basalt Grey Basaltgrau Gris Basalte Gris Basalto	
Rosso Red Rot Rouge Rojo	
Giallo Yellow Gelb Jaune Amarillo	
Verde Pastello Pastel Green Pastellgrün Vert Pastel Verde Pastel	
Azzurro Topazio Topaz Blue Topazblau Bleu Topaze Azul Topacio	

Pesi | Weights | Gewicht | Poids | Pesos

kg

Peso netto Net weight Nettogewicht Poids net Peso neto	6,10
Peso lordo Gross weight Bruttogewicht Poids brut Peso bruto	7,80

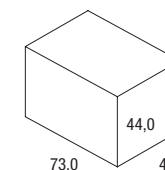


Kg 80

Dimensioni Measures Abmessungen Dimensions Dimensiones

cm

L	W	B	L	A	73,0
P	D	T	P	P	49,5
H	H	H	H	H	44,0



m³ 0,16