

A close-up, high-angle photograph of the PYLA Chair. The chair is primarily white with a modern, sculptural design. The backrest is composed of several curved, overlapping sections. The central part of the backrest features a white mesh with a pattern of small, circular perforations. The chair is positioned on a dark, textured surface, possibly a desk or floor mat. The lighting is bright and even, highlighting the smooth curves and textures of the chair's components.

PYLA Chair

ICF

PYLA Chair

Concettualmente e costruttivamente diversa dalle sedie realizzate finora, Pyla Chair è un prodotto che non si sovrappone alla personalità di chi la utilizza, ma aiuta a esprimerla nel modo migliore.

Fruito di un lungo processo di ascolto e di analisi, attenta delle reali necessità dei clienti, le sedute della collezione Pyla Chair offrono una risposta concreta alle esigenze del mercato internazionale e sono progettata nel pieno rispetto delle rigide normative internazionali.

Différente des chaises réalisées jusqu'à présent d'un point de vue conceptuel et constructif, Pyla Chair est un produit qui ne masque pas la personnalité de l'utilisateur, mais aide à l'exprimer au mieux.

Fruit d'un long processus d'écoute et d'analyse attentive des réels besoins des clients, les assises de la collection Pyla Chair apportent une réponse concrète aux exigences du marché international et sont conçues dans le plein respect des normes internationales rigides.

Conceptually and constructively unlike the chairs manufactured to date, the Pyla Chair is a product that does not overshadow the user's personality, but expresses it more effectively.

The result of an extensive listening process and careful analysis of actual client requirements, the seats of the Pyla Chair collection meet the demands of the international market with a practical solution designed in total compliance with strict international regulations.

Pyla es la última incorporación a las soluciones de asiento de ICF y es diferente al resto de productos ya que conceptual y estructuralmente es única.

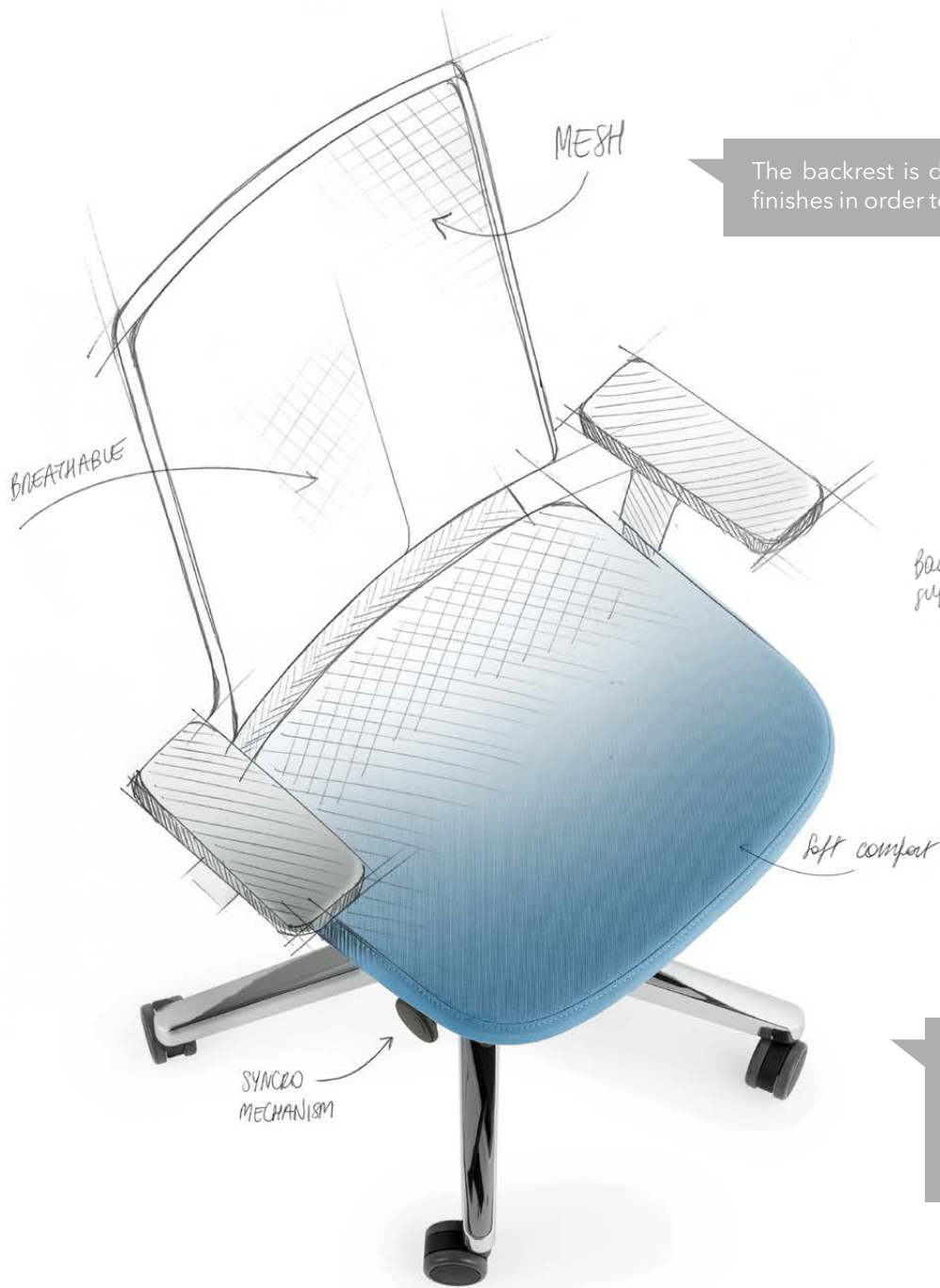
Fruito de un largo proceso de escucha y de un atento análisis de las peticiones reales de los clientes, los asientos de la colección Pyla Chair ofrecen una respuesta concreta a las necesidades del mercado internacional, y han sido diseñados en pleno cumplimiento de las normativas internacionales.

Pyla Chair unterscheidet sich sowohl im Konzept als auch in der Konstruktion von den bisherigen Stuhlmodellen. Sein eher unaufdringlicher Stil sorgt dafür, dass die persönliche Note der Benutzer noch stärker zur Geltung kommt.

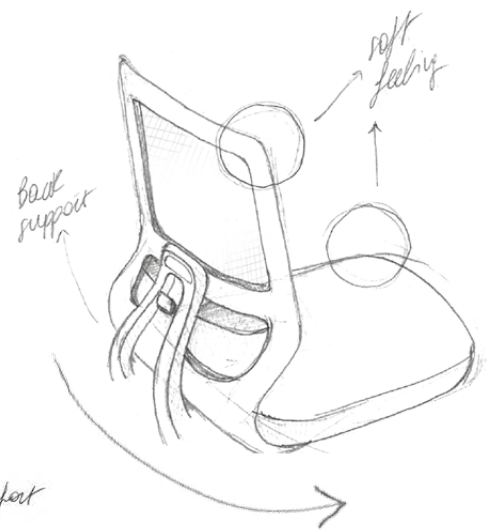
Die Stühle der Kollektion Pyla Chair basieren auf langen und sorgfältigen Studien und Analysen, bei denen die wahren Bedürfnisse der Kunden im Mittelpunkt standen und bieten eine konkrete Antwort auf die Nachfrage des internationalen Marktes. Daher wurde bei ihrer Entwicklung auch auf die Einhaltung strenger internationaler Normen geachtet.



PYLA Chair



The backrest is designed in a variety of finishes in order to satisfy multiple needs.



Every detail is designed to create a long-lasting product. Pyla Chair is characterised by the linearity of classic chairs, yet the modernity of its forms is striking.

Modern structure and features, classic style. Functional to use, durable components and high quality. **Pyla Chair** features conceptually opposite values: **tradition** and **innovation**, **rational reasoning** and **emotions**. But there is really no compromise. Everything is perfectly integrated.

People who choose Pyla Chair what a highly ergonomic product, but they will not be satisfied with simple functional elements. They want **ergonomics**, **elegance** and **comfortable use**.

PYLA Chair



An **Italian product**, with a **clearly original design** - in line with the latest trends - capable of responding to all the various needs of an office space. Pyla Chair is a product that is **entirely developed in Italy**. It is the result of the collaboration of designers, consultants and suppliers, all with great experience in the office chair sector, in addition to ICF's decades-worth of know-how in the specific sector and in the furniture sector in general.

Pyla Chair is the fruit of numerous experiences, tests and intuitions that led to the creation of a product suitable for **international** markets, created in compliance with the most advanced international ergonomic and functional parameters. A truly industrial chair in production and construction methods, but also in its design inspiration, which characterises each element.

PYLA Chair





The result is a chair characterised by a well-balanced aesthetics, perfect for every type of space and style.



ICF

Neutral light



Soft Tone flexible,
breathable mesh

Shapes highlighted only by structural elements: the ample seat - comfortable and spacious, the almost ethereal backrest, and the shaped armrests are enough to define this version of Pyla. For those seeking absolute lightness without foregoing product performance.

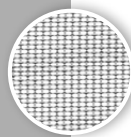
The backrest is made of a techno-polymer shell on which a flexible and breathable mesh is fixed, a particular fabric in a hardly visible translucent network

Classic black



Black flexible,
breathable mesh

A version that brings to life precision and solidity, within the bounds of the typical lightness of Pyla: designed in "total black", with black base or with contrasting chrome, it gives an image of absolute performance, beyond the technical solutions of the structure.



The backrest is made of a techno-polymer shell on which a flexible and breathable mesh is fixed, a particular fabric in a hardly visible translucent network

Color Transparency



**Black flexible,
breathable mesh**

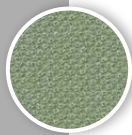
A touch of colour to balance out the transparency of the mesh backrest - purely functional, without providing any connotation. A version of Pyla Mesh designed for those who seek a product that only just hints at its presence in the office space.

The backrest is made of a techno-polymer shell on which a flexible and breathable mesh is fixed, a particular fabric in a hardly visible translucent network



Padded fabric

The backrest is made with the same soft padding as the seat, for all-round comfort. A single fabric, a single colour, and numerous variations, lightened in the back area by the mesh, thus maintaining the light and compact structure of Pyla.



The fabric or leather upholstery is made with matching and printed fabric, slightly padded, to maintain breathable characteristics and accentuate the comfort level.

Highlights



Lumbar support height adjustment



Breathable Backrest



Fully adjustable armrests



Seating depth Adjustment



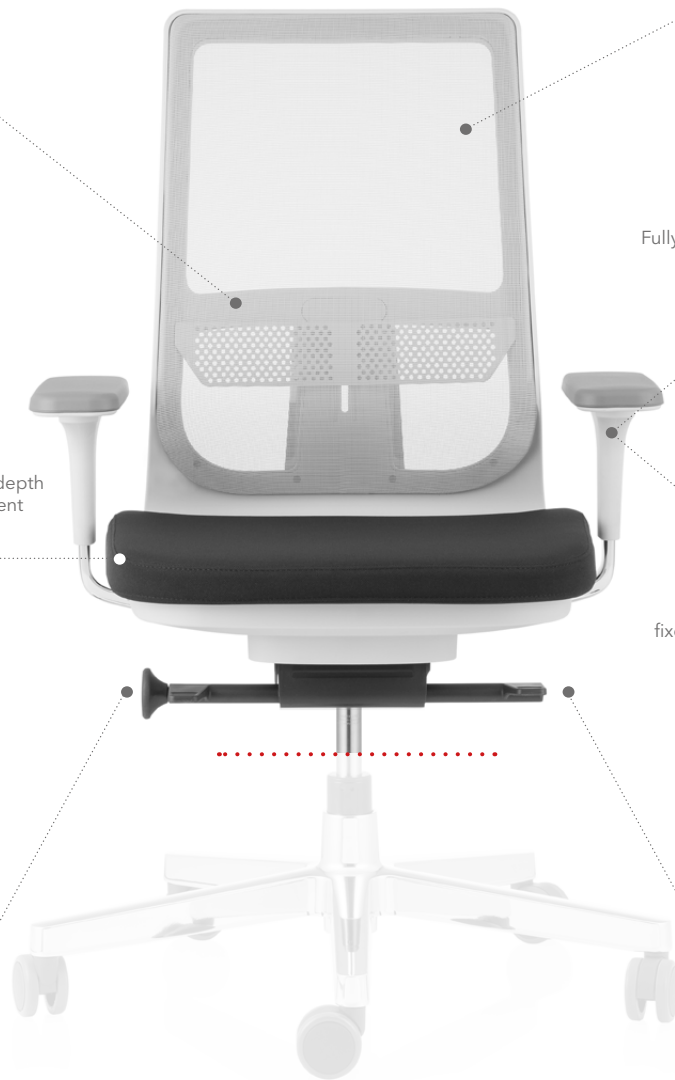
Aluminium fixed armrests



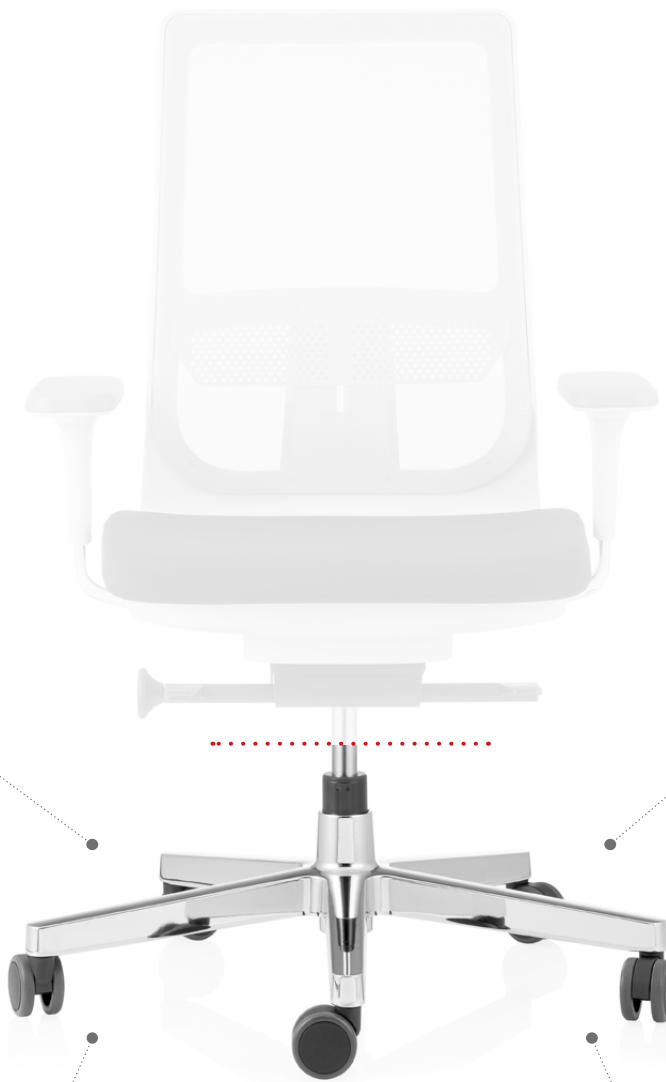
- Pneumatic seat height adjustment
- Tilting tension Adjustment



Tilt locking System



Highlights



4 star base aluminum,
polished chrome



5 star base aluminum,
polished chrome



5 star base Nylon black, gray



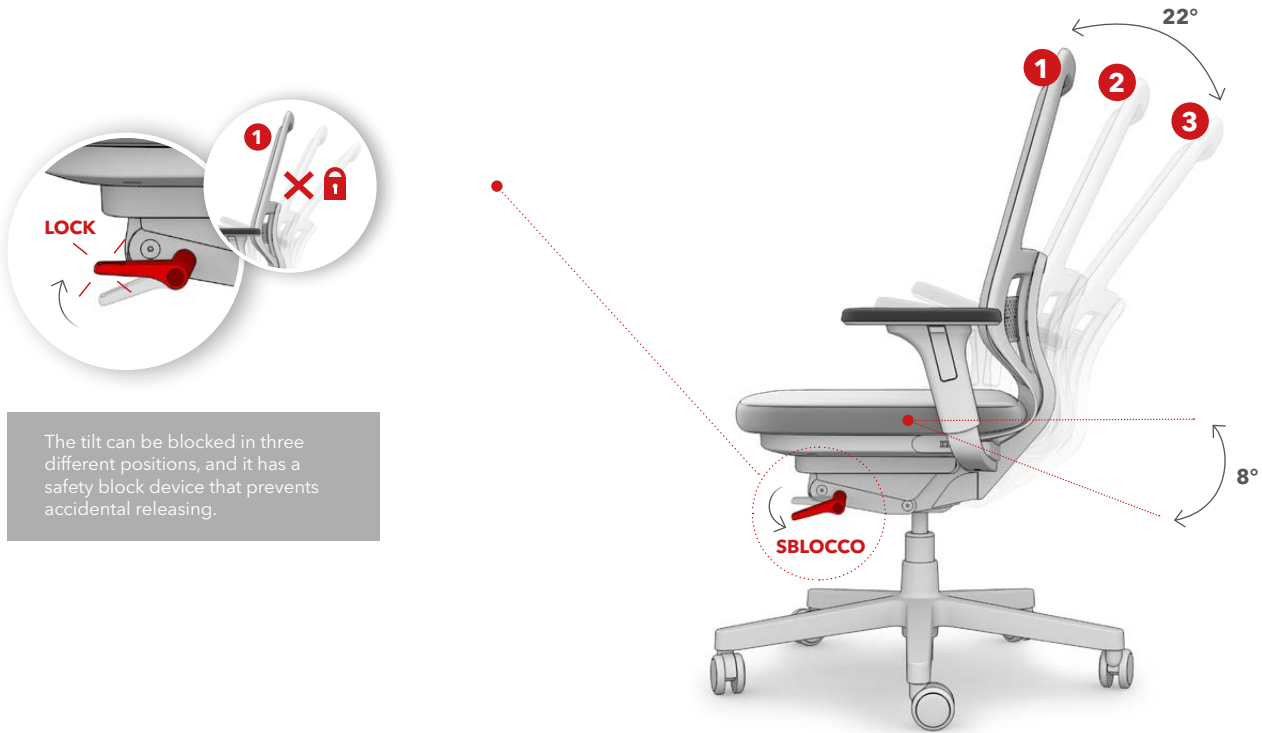
5 star stool base
Nylon black, gray



5 star stool base aluminum,
polished chrome

Rocking mechanism

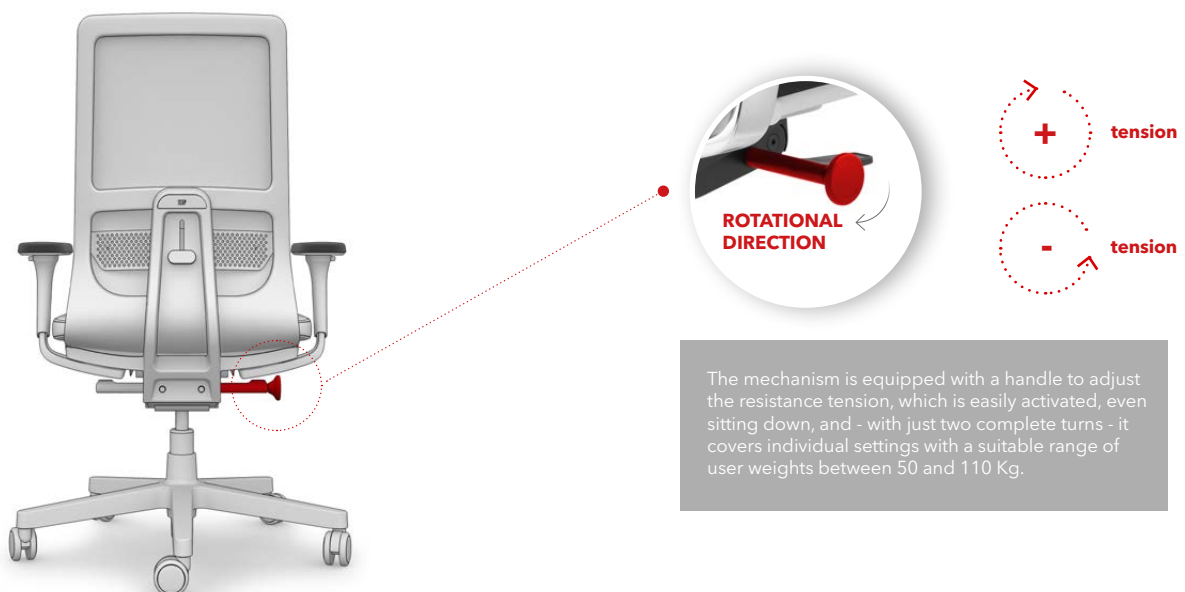
Pyla Chair is built around a **modern and effective mechanism** that regulates the movement of the backrest and the seat in order to increase the comfort of the chair, avoiding pressure points in **any position**.



The tilt can be blocked in three different positions, and it has a safety block device that prevents accidental releasing.

The synchronised rocking movement reclines with a proportion that naturally follows the body's movement, providing excellent **comfort and ergonomics**. When the user reclines backwards, tension in the back angle increases in proportion to the need for additional support, and the seat simultaneously lowers with the sequence of the movement, ensuring that the thighs and feet of the user are not lifted during the reclining movement.

The block for the mechanism is **extremely compact**, in order to avoid interfering with the design of the chair, and it is made of die cast aluminium in order to ensure **maximum duration over time**.

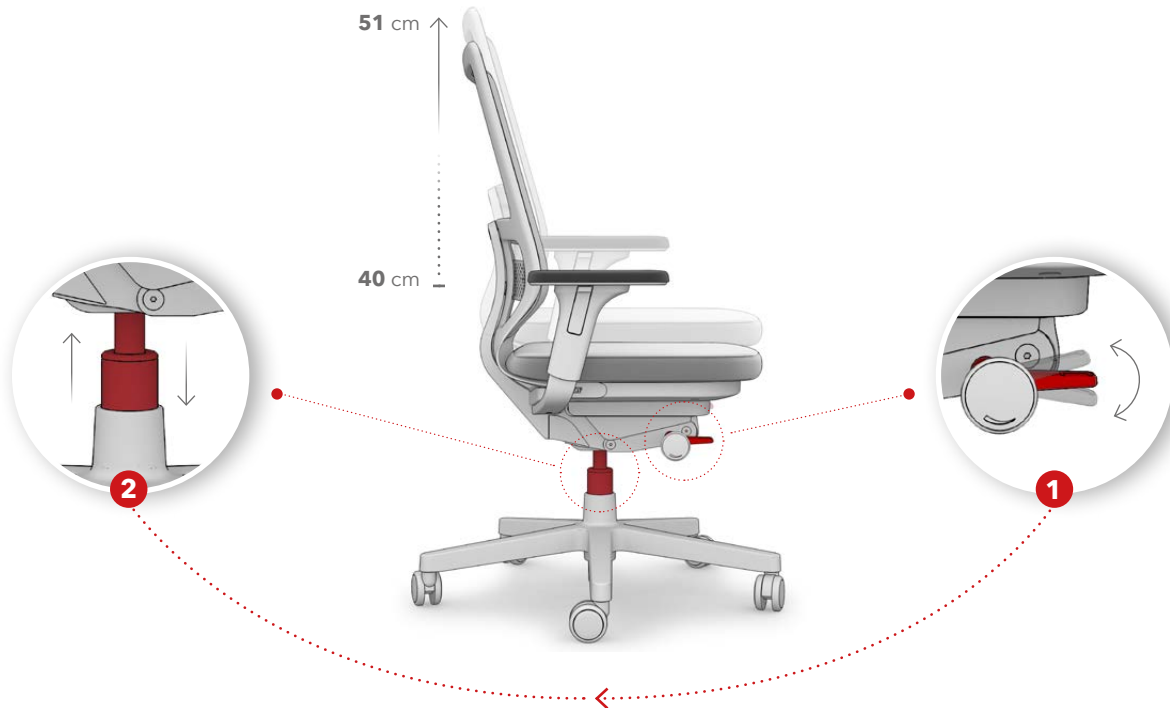


The mechanism is equipped with a handle to adjust the resistance tension, which is easily activated, even sitting down, and - with just two complete turns - it covers individual settings with a suitable range of user weights between 50 and 110 Kg.

Standard Settings

Height setting

The gas-activated pump device for seat adjustment allows the user to adjust the seat to their personal preference. It complies with European **ergonomic safety standards** and guidelines for seat height adjustment in order to satisfy the majority of users. The mechanism is activated with a simple, clearly visible, and intuitive lever.

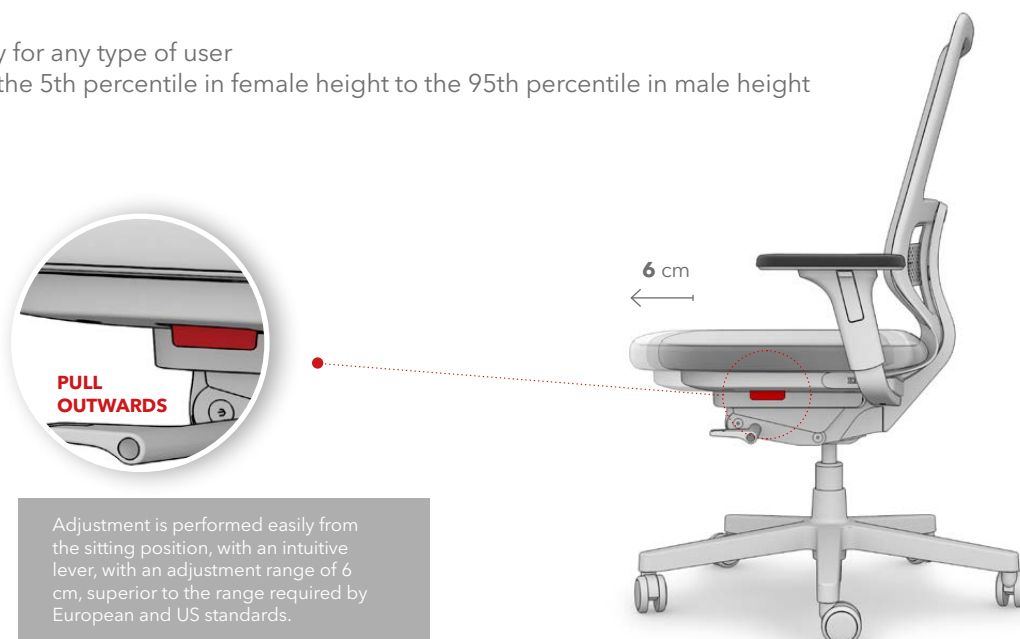


Seat depth adjustment

Seat depth adjustment offers **improved functionality** for a variety of users, effectively extending the surface area of the seat and the surface area in contact with the thighs. The backrest and armrests are not involved in the seat adjustment movement.

ADVANTAGES

- More flexibility for any type of user
- Satisfies from the 5th percentile in female height to the 95th percentile in male height



Adjustment is performed easily from the sitting position, with an intuitive lever, with an adjustment range of 6 cm, superior to the range required by European and US standards.

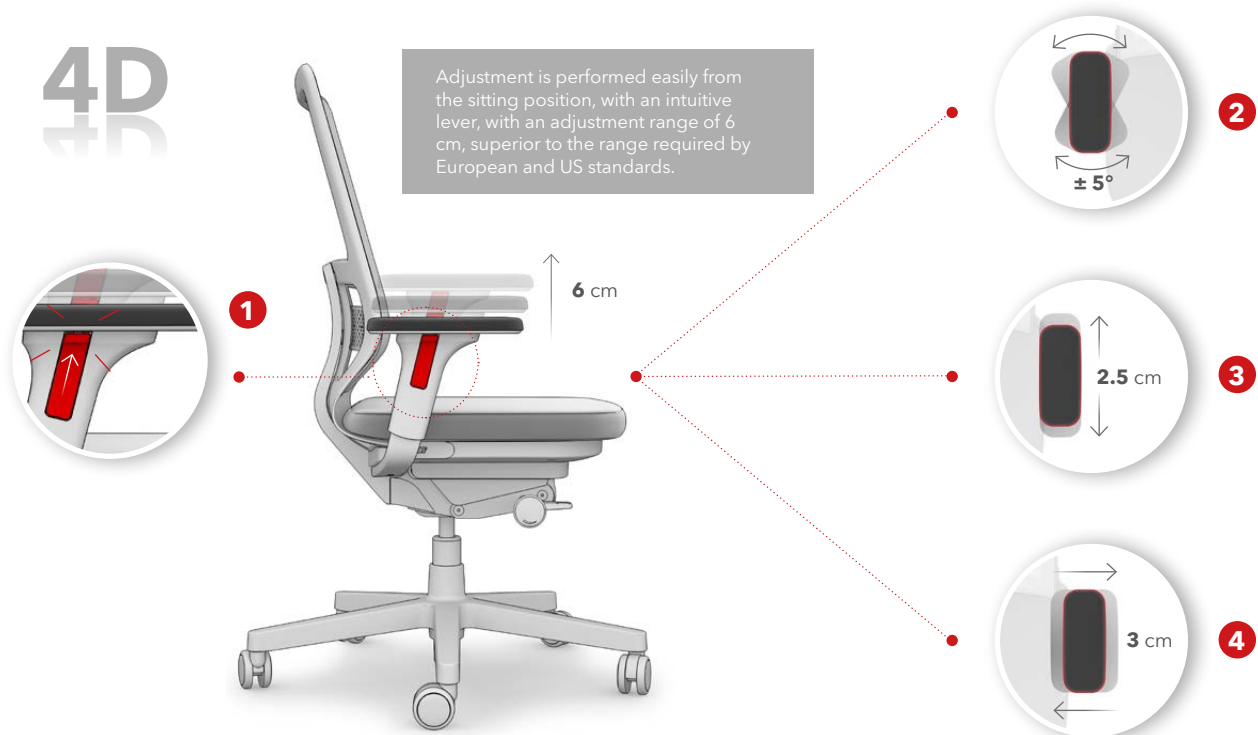
Comfort adjustments

4D Armrests

The soft, wide **4D armrests** are adjustable in height, depth, width and tilt to adapt to the personal characteristics of users. The armrest pads are made in **soft polyurethane**, and offer a comfortable place to rest that is pleasant to the touch. They come in the colours black and light grey. The armrest support is made of polished or chromed **diecast aluminium** or polyamide in black or light grey. Armrests can be installed or removed on site.

ADVANTAGES

- Easy to adjust in height, width and depth
- Adjustable forward and backward to maintain support during work phases near the support surface.

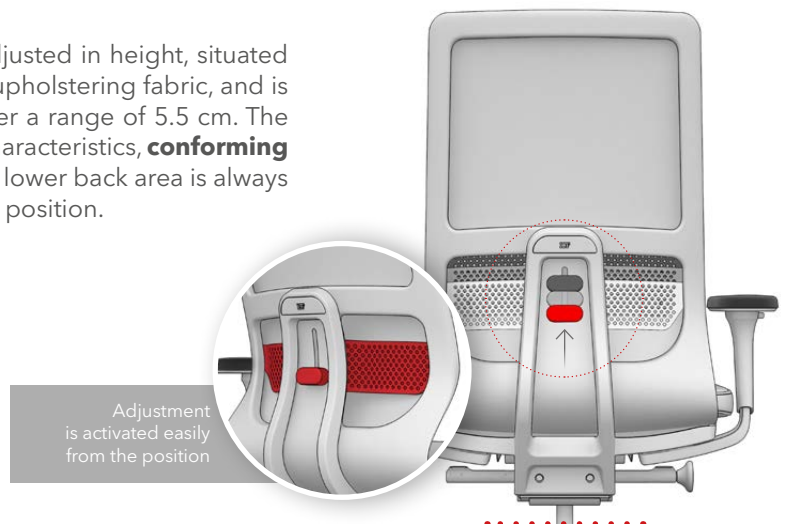


Lower Back Support

Pyla Chair offers lower back support that can be adjusted in height, situated between the aluminium backrest structure and the upholstering fabric, and is operated by raising or lowering the rear handle over a range of 5.5 cm. The adjustable lower back support adapts to individual characteristics, **conforming flexibly with the curve of the back**. Pressure in the lower back area is always even, and ensures the **utmost comfort** in any sitting position.

ADVANTAGES

- Even distribution of pressure
- Adapts to the shape of the user's back
- Easy to adjust
- Comfort for prolonged work phases
- Increases productivity



Technical Elements

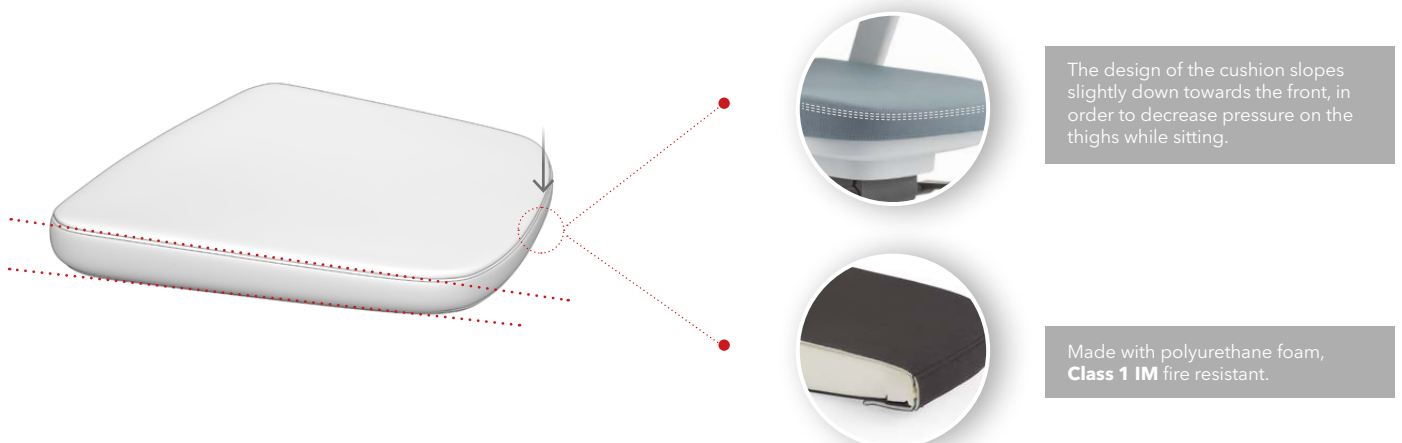
Rear structure

The **aluminium** rear structure supports the shell of the mesh backrest, fixes the armrests in place and supports the movement of the adjustable lower back support. The lower part is linked with the synchronised tilting mechanism, and transfers the geometry of the movement to the backrest and to the chair. The frame is completely made of diecast aluminium to **guarantee maximum resistance to torsion during use over time**. It can be painted in epoxy resin in two colours, polished and chromed.



Cushion

The cushion is made up of a soft part made of polyurethane foam, attached to a structural polypropylene insert, all closed in a fabric cover. The foam, which is **classified in fire reaction class 1 IM**, complies with all safety and comfort standards: its anatomic shape comfortably adapts to the weight and shape of any user.



The design of the cushion slopes slightly down towards the front, in order to decrease pressure on the thighs while sitting.

Made with polyurethane foam, **Class 1 IM** fire resistant.

Mesh

The backrest is a shell in **technopolymer** on which a **flexible, breathable mesh** has been fastened along with a particular translucent mesh fabric, almost invisible and **exceptionally** resistant and tenacious. The mesh fabric is completely breathable, and gives a refined and transparent look to the chair, simultaneously providing a sense of lightness and modernity.

In addition to the properties of breathability, Pyla Chair's mesh fabric is flexible, and therefore perfectly adapts to the body of the user, in a **natural and anatomically correct** manner. It does not become deformed over time, and it keeps its elastic and mechanical features unaltered even after extensive use. It reduces the number of components used to make the chair, and these components are easy to separate and - where required - **recycle at the end of the product's lifespan**.

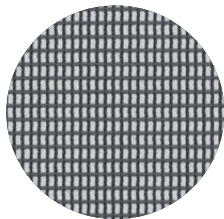
Pyla Chair's mesh fabric can be combined with a 3D fabric or partially upholstered with traditional fabric or leather in order to **increase the feeling** of comfort, while maintaining the properties of **breathability and elasticity**. The fabric or leather upholstery is made with matching and printed fabric, slightly padded, to maintain the breathable characteristics of the mesh, while adding a pleasant feeling of comfort.

Thanks to its **transparent nature**, the mesh will also take on the colour of the front padding, **thus providing fascinating and airy combinations of colour**.



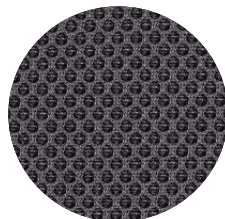
1

MESH



2

3D TEXTILE + MESH



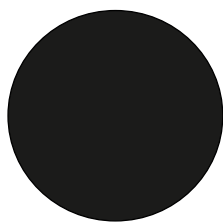
3

FABRIC / LEATHER

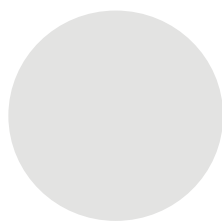


<p>Material Flammability</p> <p>100% Poliestere BS EN 1021 1&2 CA TB 117-2013</p> <p>Abrasion resistance Environment</p> <p>Oeko-Tex Total absence of heavy metals, 100% recyclable</p>	<p>Material Flammability</p> <p>100% Poliestere BS EN 1021 1&2 CA TB 117-2013</p> <p>Abrasion resistance Environment</p> <p>Class uno UNI 9175 class 1 EMME Martindale 70.000</p> <p>Oeko-Tex Total absence of heavy metals</p>	<p>ATLANTIC</p> <p>Material Flammability</p> <p>100% Poliestere BS EN 1021 1&2 CA TB 117-2013</p> <p>Abrasion resistance Environment</p> <p>Class uno UNI 9175 class 1 EMME Martindale 110.000</p> <p>Oeko-Tex Total absence of heavy metals</p>
---	---	---

Finishes



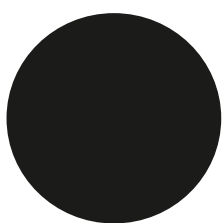
Black



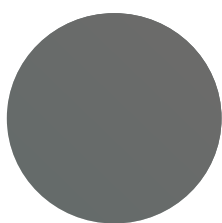
Grey

Plastic elements

Made in nylon reinforced with fibreglass in varying percentages.



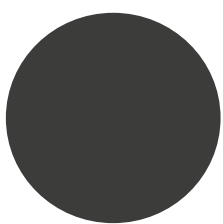
Black



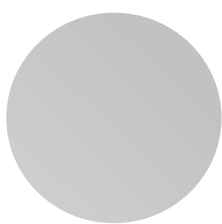
Dark grey

4D armrest pads

Made in soft polyurethane.



Black
Nylon



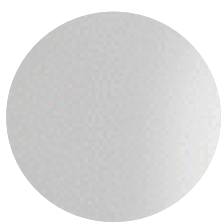
Grey
Nylon

Base finishes

Four or five-star bases made of polished or chromed die cast aluminium or nylon, dyed in the mass in either black or light grey, with double swivel castors (Ø 60 mm) or feet. The wheels comply with European standard EN 12529.

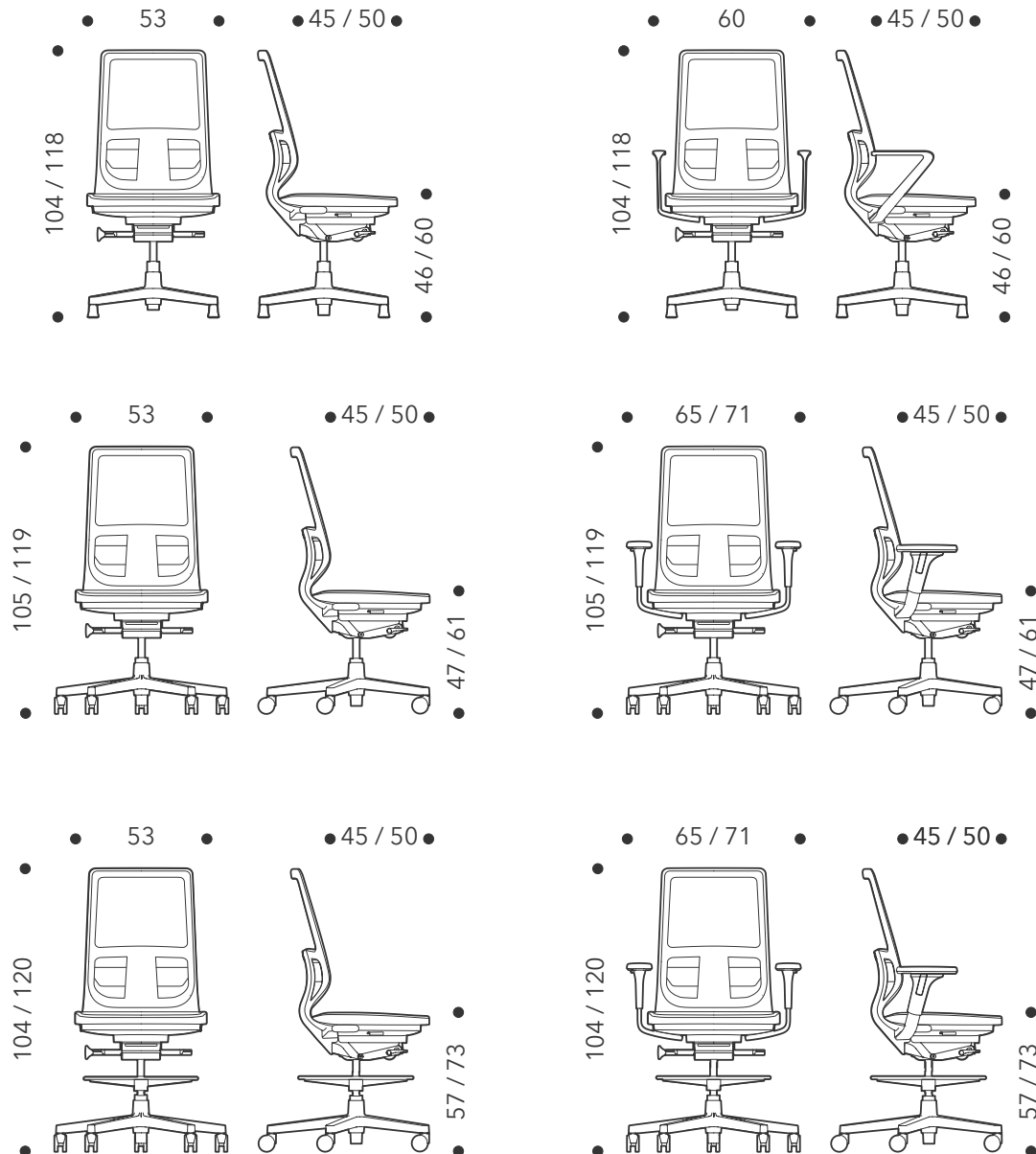


Polished
aluminium



Chrome-plated
aluminium

Dimensions*



* The dimensions indicated refer exclusively to linear measurements of the product. They do not, therefore, match measurements taken during its actual use (which are, instead, taken for tests in compliance with standards UNI EN 1335)

Surfaces and colours

CAT B	Atlantic														
	Dragon														
	Relax Flex														
CAT C	Fame														
	Step														
	Step Melange														
	Sotega														
CAT F	Breeze														
	Breeze Fusion														
	Fame hybrid														

Surfaces and colours

CAT E | **Leather**

#98A	#98C	#98D	#98F	#98G	#98H	#901	#906	#910
#913	#915	#917	#98F	#919	#921	#972	#981	#984

BACKREST

CAT B | **Runner**

#824	#830	#831	#832	#833	#834	#840	#842	#843	#845

CAT X | **Elastic mesh**

#01	#11	#20	#21	#24	#50	#55

CAT N | **Nylon mesh**

#31N	#32N	#33N	#34N

SURFACE

FINISHES

#22	#47	#55	#095

All variants colour, fabric and combinations are to be found in the new on-line **CONFIGURATOR**.

www.icf-office.it/configurator



Certification

Pyla Chair is designed and tested in compliance with multiple international quality standards, which take into account functionality, dimensions, finishes and duration. No harmful chemical products or glues were used in its manufacture.

Ergonomics, safety and resistance: the Pyla Chair was designed and tested in one of the most important European testing facilities, based on international size and safety requisites for guests' chairs and chairs for non-domestic purposes. It satisfies or exceeds the testing criteria for a level of severity suitable for general use in applicative areas such as hotels, cafés, restaurants, public halls, banks, bars and meeting rooms (**EN13761:2002 - EN15373:2007 - Level 2**).

As far as flammability properties are concerned, it satisfies or exceeds the test criteria for the strictest international standards, which take into account resistance to fire of the complete product, such as the California Technical Bulletin **133 and standard UNI 9175 - Class 1 IM**.

Pyla Chair's components can easily be dismantled and separated into individual elements, and no glue is used for their construction. ICF possesses **ISO 14001** certification and maintains ongoing vigilance in relation to environmental problems in order to ensure the smallest possible environmental impact.

Product



Pyla Mesh PM 256
Certification n° 1390/2016

UNI EN 1335 -1, 2, 3

Download certificate

Pyla Mesh PM 256
SAMPLE N° 204381

ANSI BIFMA x5.1

Download certificate

Fire Reaction
Certification Class 1 IM
(Runner/Atlantic)

MI363D20D1IM00021

Download certificate



Company



Quality certification
UNI EN ISO 9001:2008

Environmental certification
UNI EN ISO 14001:2004



ICF S.p.A.

icf@icf-office.it | www.icf-office.it
Via Cassanese, 108 - 20060 Vignate (MI)
t. +39 02 9508031 f. +39 02 95364012