

Molteni & C

NICK— LUCA NICHETTO 2015

1—
3



Its striking aesthetic balance is the result of the refined and perfectly proportioned design of the individual components. The chrome-plated metal structural elements give the project great lightness. Contrasting stitchings on headboard and surround highlight the elegant proportions of the bed. With a broad choice of textile and leather upholstery.

DATASHEET

REGISTERED
DESIGN

IX.2015

molteni.it

Dimensions in millimeters and inches. The right to discontinue and make changes is reserved. This information is based on the latest product information available at the time of printing.

FINISHES

COVERS

fabric - leather, completely removable.

FEET FINISHES

black chrome - pewter colour

Available in fire-resistant version (TB117 and BS5852).

Molteni & C

TECHNICAL INFORMATION

HEADBOARD

Frame in solid wood from the solid Fir (Picea Abies) and chipboard panels. Padding in high-capacity, variable density polyurethane foam. Light velvet cover.

BED SURROUND

Metal frame with polyurethane foam padding. Light velvet cover.

FEET

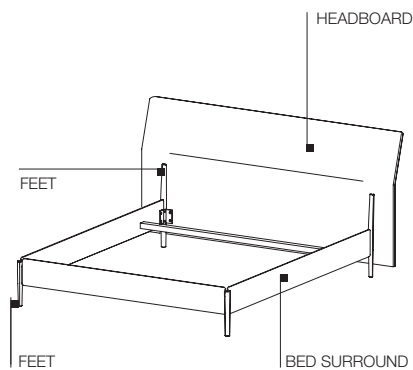
Pressure diecast aluminium with floor slides in non-slip plastic material.

REMOVABLE OUTER COVERS

(See attached card, specific for each cover).

MATTRESS-BASE SPACER

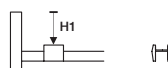
Plastic.



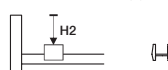
WITHOUT SPACER



WITH SPACER (1)



WITH SPACER (2)



Mattress-base height adjustment

without spacer H 100

with spacer (1) H1 80

with spacer (2) H2 60

DATASHEET

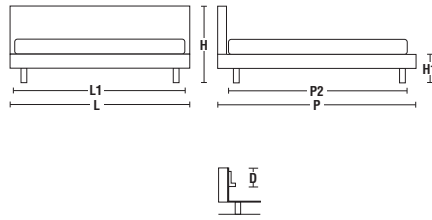
REGISTERED
DESIGN

IX.2015

molteni.it

Dimensions in millimeters and inches. The right to discontinue and make changes is reserved. This information is based on the latest product information available at the time of printing.

DIMENSIONS



OUTER DIMENSIONS

Bed base	L Width Total width	P Total length	H Height
1680	66 1/8"	2000	2220
1780	70 1/8"	2100	87 3/8" standard model
1880	74"	2200	91 3/8" on request
KS2035	80 1/8"	KS2355	2270
2080	81 7/8"	2355	89 3/8" for KS

INNER DIMENSIONS

L1 Width	P2 Length	D Space for insertion of the slatted base
1600	2000	Space for insertion of the slatted base
1700	78 3/4" standard model	60
1800	66 7/8"	80
1800	70 7/8"	2 3/8"
KS1955	2100	80
2000	82 3/4" on request	3 1/8"
2000	77" for KS	100
2050	80 3/4" for KS	3 7/8"

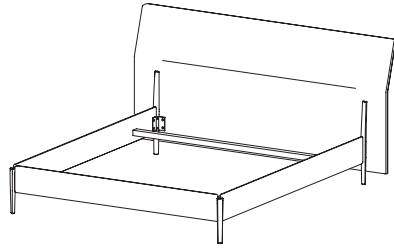
Depth of 2100 mm (82 3/4") (inner measurement) is also available on NLO16 - NLO17 - NLO18 - NLO20.

Slatted bases with electric movement cannot be used.

Molteni & C

bed taking a single slatted base or 2 individual slatted bases

3—
3



NLO16 NLO17 NLO18 NLOKS NLO20

DATASHEET

REGISTERED
DESIGN

IX.2015

molteni.it

Dimensions in millimeters and inches. The right to discontinue and make changes is reserved. This information is based on the latest product information available at the time of printing.