

Molteni & C

HONEY— ARIK LEVY 2009

1—
3



Sobre fabric bed with soft, comfortable headboard and tailored upholstery. Profile available in different colours. The leather versions do not include two-colour edging but are completely in the leather selected. The bed Honey's slatted bases are fixed (max H mm 55 - 2 1/8") and moving bases cannot be used. Two slatted bases positions are possible in the version with container: front opening for moving stored objects, and horizontal raising to ease making bed.

DATASHEET

REGISTERED
DESIGN

I.2015

molteni.it

Dimensions in millimeters and inches. The right to discontinue and make changes is reserved. This information is based on the latest product information available at the time of printing.

FINISHES

COVERS

fabric - leather, completely removable.

Only the fabric category ANDROMEDA can be used for the turn-up edging.

Available in fire-resistant version (TB117 and BS5852).

FEET FINISHES

black lacquered metal (fixed bed version)

chrome steel (container bed version)

Molteni & C

TECHNICAL INFORMATION

HEADBOARD

Structure in veneer with foam rubber padding in varying densities. Velour cover.

BED SURROUND FIXED VERSION

Metal frame with foam rubber padding. Velour cover.

BED SURROUND CONTAINER VERSION

Metal frame with polyurethane foam padding. Bonded velveteen lining. Chipboard border panels with melamine faced interior and matt black lacquer exterior.

FEET FIXED VERSION

Lacquered steel with non-slip felt grips.

FEET CONTAINER VERSION

Chrome steel with non-slip felt grips.

BASES (FOR BED-BASE STORAGE CONTAINER)

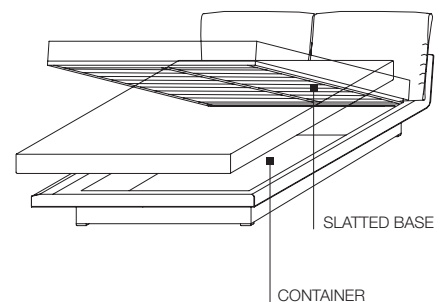
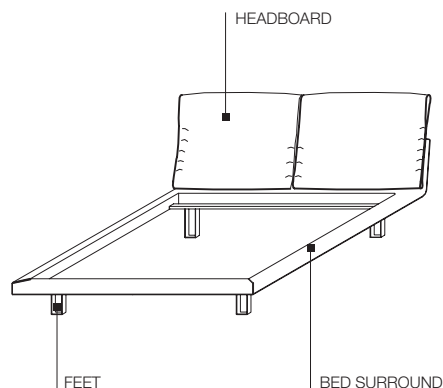
Melamine finished chipboard panelling with nylon positioning handles.

REMOVABLE OUTER COVERS

(See attached card, specific for each cover).

SLATTED BASE

Metal frame with wooden slats and double pump raising mechanism with two positions.



DATASHEET

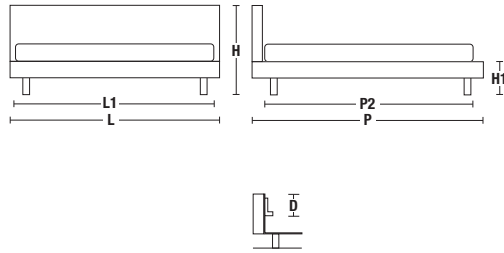
REGISTERED
DESIGN

I.2015

molteni.it

Dimensions in millimeters and inches. The right to discontinue and make changes is reserved. This information is based on the latest product information available at the time of printing.

DIMENSIONS



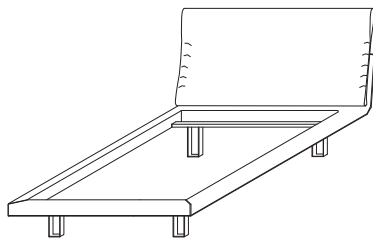
OUTER DIMENSIONS			INNER DIMENSIONS		
L	P	H	L1	P2	D
Width	Length	Height	Width	Length	Space for insertion of the slatted base
1060 41 3/4"	2200 86 5/8" standard model	960 37 3/4"	1000 39 3/8"	2000 78 3/4" standard model	55 2 1/8"
1260 49 5/8"	2300 90 1/2" on request	H1 Bed base height	1200 47 1/4"	2100 82 3/4" on request	
1660 65 3/8"	2250 88 5/8" for OS/KS	300 11 7/8"	1600 63"	2050 80 3/4" for OS/KS	
1760 69 1/4"			1700 66 7/8"		
1860 73 1/4"			1800 70 7/8"		
QS1590 62 5/8"			QS1550 61"		
KS1990 78 3/8"			KS1950 76 3/4"		

Depth of 2100 mm (82 3/4") (inner measurement) is also available on HLE16 - HLE17 - HLE18. Beds HLE10 and HLE12 are not available in depths 2100 mm (82 3/4") (inside size).

Molteni & C

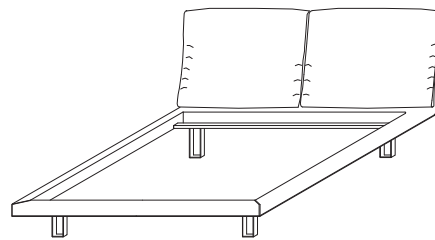
3—
3

beds for slatted bases



HLE10

HLE12



HLEQS

HLE16

HLE17

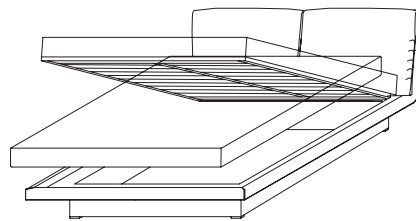
HLE18

HLEKS

Notes

- Double single fixed net mattress supports can be inserted into beds HLE16 - HLE17 - HLE18 - HLEKS.
- The structure of the bed frame can be disassembled (with the exception of the container version).

double bed with slatted base and container under the slatted base



HLE17C

HLE18C

DATASHEET

REGISTERED
DESIGN

I.2015

molteni.it

Dimensions in millimeters and inches. The right to discontinue and make changes is reserved. This information is based on the latest product information available at the time of printing.