

Molteni & C

CLIP— PATRICIA URQUIOLA 2003

1—
3



An upholstered double bed in a unique design: the headboard continues along the length of the bed to the footboard and folds back on itself to trace a highly original form similar to a paperclip. The headboard can tilt at various angles. The bed can take all types of mattress-base in a variable thickness 65-175 mm (2 1/2"-6 7/8") thanks to an adjustable support system. The fully removable covers can be chosen from an extensive range of fabrics and leather.

DATASHEET

XII.2014

molteni.it

Dimensions in millimeters and inches. The right to discontinue and make changes is reserved. This information is based on the latest product information available at the time of printing.

FINISHES

COVERS

fabric - leather, completely removable.

Available in fire-resistant version (TB117 and BS5852).

TECHNICAL INFORMATION

TILTING HEADBOARD

Cold-foamed polyurethane with metal insert. Light velvet cover. Support crosspiece in painted metal, with anodised aluminium wheels.

SURROUND

Melamine-covered Birch (*Betula alba*) plywood with MDF and padded with self-extinguishing foam polythene. Light velvet cover.

RUNNER COVER

Melamine-covered chipboard and light velvet cover.

LOWER HEADBOARD PANEL

Melamine-covered Poplar (*Populus alba*) plywood, painted in one of the colours from the Molteni Range.

FEET

Painted metal.

ADJUSTABLE MATTRESS SUPPORT

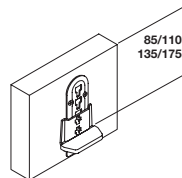
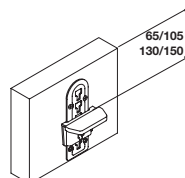
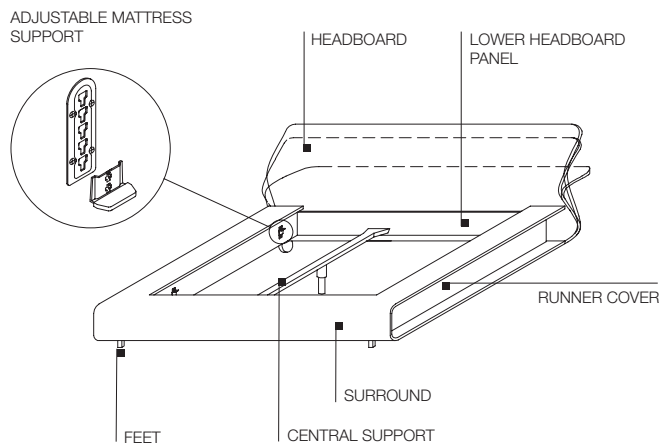
In tropicalised iron with soft PVC hood.

CENTRAL SUPPORT (ACCESSORY)

Painted metal with adjustable central foot in anodised aluminium.

REMOVABLE OUTER COVERS

(See attached card, specific for each cover).



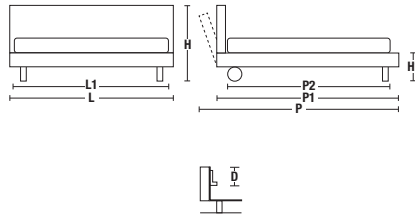
DATASHEET

XII.2014

molteni.it

Dimensions in millimeters and inches. The right to discontinue and make changes is reserved. This information is based on the latest product information available at the time of printing.

DIMENSIONS



OUTER DIMENSIONS

L	P	P1	H
Width	Length with tilted headboard	Length with vertical headboard	Height
1940 76 3/8"			790 31 1/8"
2040 80 3/8"			H1
2140 84 1/4"	2530 99 5/8"	2280 89 3/4"	Bed base height
			270 10 5/8"

INNER DIMENSIONS

L1	P2	D
Width	Length	Space for insertion of the slatted base
1600 63"	2000 78 3/4"	
1700 66 7/8"	standard	65 2 1/2" 85 3 3/8"
1800 70 7/8"		105 4 1/8" 110 4 3/8"
	2100 82 3/4"	130 5 1/8" 135 5 3/8"
	on request	150 5 7/8" 175 6 7/8"

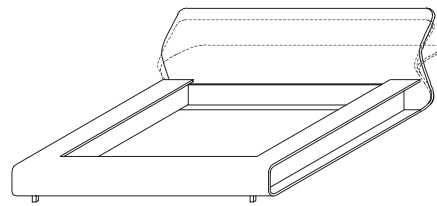
Depth of 2100 mm (82 3/4") (inner measurement) is also available.

Molteni & C

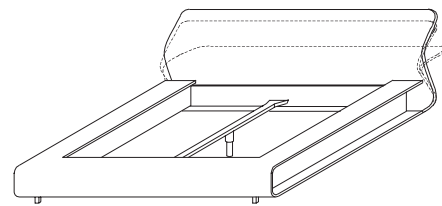
bed taking a single slatted base

beds with central support
for 2 individual slatted bases

3—
3



CM16 CM17 CM18



CM16T CM17T CM18T

DATASHEET

XII.2014

molteni.it

Dimensions in millimeters and inches. The right to discontinue and make changes is reserved. This information is based on the latest product information available at the time of printing.