

2014



A pleasant play of interconnecting elements which creates an ironical collection.

With a simple design, K coffee tables can be included in any context and setting; as a single piece or grouped together, different configurations and compositions based on customers' creativity can be figured out.

The collection introduces a new concept of products and objects: it's no longer REcycling but UPcycling - a process that allows a quality product to be created by optimising resources, applying environmental ethics and creatively using valuable materials from production scraps.

The K collection uses parts of porcelainised grès obtained from the manufacture of other MDF Italia products. This valued material would otherwise be discarded.

#### Frame

Frame in steel with section 15x15mm, painted in matt white or graphite. Feet in rigid nylon.

#### Tabletop

Built-in non-removable tabletops in porcelainised grès in the gloss or satin-coated variants: white, medium grey and anthracite, as well as the special Corten matt version. (thickness: 6mm).

#### Dimensions

L40 W40 H40cm

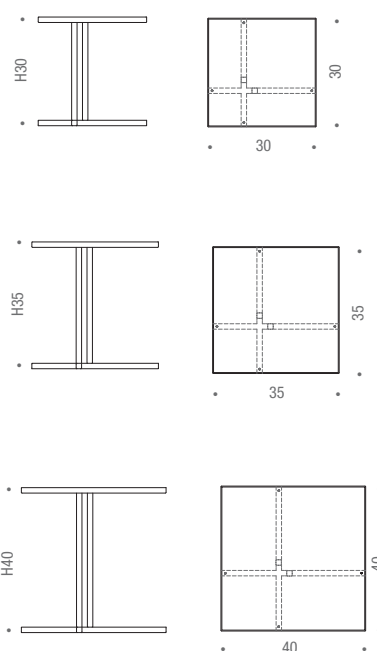
L35 W35 H35cm

L30 W30 H30cm

#### Please note

Recommended for indoor use, only

**For technical specifications of the materials, see page 4.46.**



# MATERIALS

## ■ CEMENT Robin

### TECHNICAL SPECIFICATIONS

The attractive hand finished application creates tops in a variety of finishes and colours.

Thanks to this feature, each table becomes a unique, handcrafted product.

Cement is applied by hand with a stain-resistant treatment that prevents the immediate absorption of stains.

As with any material, frequent cleaning is advisable to prevent prolonged contact with dirt and liquids from causing permanent stains.

## ■ "UHPFRC" CEMENT Rock Table

UHPFRC (ultra high-performance fibre reinforced cement) is a hi-tech product consisting of a cement paste of the latest generation with remarkable technical properties and virtually unlimited applications. The countless organic fibres that mix together with this paste in an apparently random and fortuitous way make up the strong binder which keeps this cement compact, yet incredibly elastic at the same time.

### Main properties

- Environmentally sustainable: composed of organic fibres, it can be recycled as an inert material at the end of its life cycle. Thanks to its features, it is used in smaller quantities, so its CO2 impact is 20-40% lower than traditional cement.
- High strength: one of the most important characteristics is the high compressive strength of the material - four to eight times higher than traditional cement (130 to 200MPa). This allows the creation of complex architectures or pieces of furniture with reduced thicknesses, resulting in extremely light structures.
- Lightness: its specific weight is only 2.40 Kg/dm<sup>3</sup>, which makes it one of the lightest furnishing materials around. It's lighter than marble (2.85Kg/dm<sup>3</sup>), glass (3.20 Kg/dm<sup>3</sup>) and stainless steel (7.48Kg/dm<sup>3</sup>).
- Elasticity: its resistance to bending is 8 times greater than traditional cement.
- Impermeability: since it is not porous, this material has a high resistance to water, withstanding freeze/thaw cycles easily, and to exposure to marine environments.
- Fire resistance: the material is not flammable.
- Durability: on the listing of the BFUP (French Certification Agency), UHPFRC is included as a durable material with a guaranteed life of at least 50 years.

## ■ CERAMIC Lim 3.0 • K Table

Top quality ceramics, defined as porcelainized grès, resulting from a cutting-edge technology with all due respect for nature. Manufactured in Italy through a protected process covered by international patents.

Material composed of an accurate selection of the best raw materials, atomized quartz, feldspar, clay and noble kaolin mixture, pressed at 600 kg/cm<sup>2</sup> and sintered at a temperature of 1300°C. The final plates are defined "full body" and their veins on the surface in their infinite shades, cross the plates' whole thickness to recur in the back.

**Each one is different from the other, each one is original, but perfectly comparable with quarry materials.**

- Resistant to chemicals and staining agents
- Non absorbent to water, detergents and acids
- Extreme surface hardness (abrasion with diamond blades only)
- High resistance to loads and abrasion
- Frostproof
- Non-flammable
- Durability of colour characteristics
- It does not emit any toxic substances
- Stress-resistant if heated by flames

### Compliance with regulations:

The material are eligible to bear the product marks issued by UNI since conforming to the tests prescribed by current international standards.

UNI EN ISO 10545.2 (dimensional tolerances and surface quality)

UNI EN ISO 10545.3 (water absorption)

UNI EN ISO 10545.6 (resistance to deep abrasion)

UNI EN ISO 10545.8 (coefficient of linear thermal expansion)

UNI EN ISO 10545.9 (thermal shock resistance)

UNI EN ISO 10545.13 (chemical resistance)

UNI EN ISO 10545.12 (frost resistance)

UNI EN ISO 10545.14 (stain resistance) thus ensuring their compliance with DIN 51094 (colour resistance to light)

### Environmental certification:

The whole manufacturing process has been certified to UNI EN ISO 9001 (quality system certification), to UNI EN ISO 14001 (environment management certification), to EMAS for environmental compatibility and compliance with the Community Eco-Management System and at last to ANAB for bio-architecture (waste reduction and environmental impact).

## ■ CERAMILUX® Flow Low Table • S Table with black stand

### TECHNICAL SPECIFICATIONS

CERAMILUX® is a material composed of natural minerals (calcium carbonates and aluminium trihydrates) and polyester resin. The gelcoat film coating the surface of the material is made of a highly-resistant acrylate polyester.

CERAMILUX® shows a good resistance to shocks and stress, to bending stress, tractions and compression: this allows it to obtain certain thicknesses without the support of other materials, thus creating self-supporting products.

CERAMILUX® is a high-quality material with an excellent resistance to shocks, sudden changes of temperature and to wear, typical of the home environment. Good resistance to chemical agents and sun rays.

## ■ CRISTALPLANT® Flow Low Table • S Table with white stand

### TECHNICAL SPECIFICATIONS

CRISTALPLANT® is a unique highly-advanced composite material made up of a high percentage of natural minerals (ATH derived from bauxite) and a small percentage of extremely pure polyester and acrylic polymers; thus it is an inert hypoallergenic and non-toxic material.

CRISTALPLANT® is a 100% made-in-Italy solid surface.

CRISTALPLANT® is 100% recyclable, fireproof (class 1), with a high UV resistance; it is compact and non-porous, hygienic and with a soft texture thanks to its velvet finish similar to natural stone.

CRISTALPLANT® is 100% restorable, ie it can be brought back to its original condition simply with a detergent and an abrasive sponge (also cigarette burns can be removed). Its characteristics of durability and restorability make it eco-compatible.

## ■ FENIX NTM® Lim 3.0

Fenix NTM is a newly-conceived material produced through thermo-lamination, the simultaneous application of heat (about 150°C) and specific high pressure (>7MPa): these factors allow to obtain, as end result, a homogeneous, non porous and high-density product. The core structure of FENIX NTM is composed of kraft paper impregnated with thermosetting resin. The external surface features a decorative paper obtained through new generation resins, capable of obtaining a high level of opacity. A property highlighted by the NTM Acronym: NanoTechMatt, i.e. matt effect enabled by nanotechnology. This special surface treatment makes sure the material has a high resistance to scratch and heat, soft touch, low light reflectivity, thermal healing of micro-scratches, enhanced anti-bacterial property, mould-resistant, hydro-repellent, high resistance to stains, acid solvents and household reagents, antistatic.

### Main features

- High resistance to scratch, abrasion and heat
- Anti-fingerprint
- Soft touch
- Low light reflectivity (extremely matt finish, a property highlighted by the NTM Acronym NanoTechMatt, i.e. matt effect enabled by nanotechnology)
- Thermal healing of micro-scratches
- Enhanced anti-bacterial property
- Mould-resistant
- Hydro-repellent
- High resistance to stains, acid solvents and household reagents
- Antistatic

## ■ KERAMIK Keramik/Keramik Extra • Keramik Extension T • Desk • T Table

### TECHNICAL SPECIFICATIONS

Laminated ceramic features uniquely peculiar technical characteristics thanks to the innovative methods of ceramic treatment and production (laminated-porcelainized thin gres).

- Extreme surface hardness (comparable to topaz) and high bending strength.
- Resistant to stains, water, detergents and acids.
- Not inflammable, reaction to fire: class 0.
- Inalterability of the chromatic characteristics.
- It doesn't release toxic substances and there is no warping if heated with open flame

### CATAS TESTS PERFORMED ON CERAMIC

- fastness to light UNI 9427/89
- resistance to cold liquids EN 12720/97
- tendency to hold dirt UNI 9300/88 and FA276/89
- scratch resistance UNI9428/89
- reaction of surfaces to detergents PTP53/95

Other tests related to technical characteristics:

- fire resistance, wearproof, hardness resistance, abrasion resistance and water absorption resistance

**The material can have slight impurities, due to the particular production treatments, still accepted quality standards are complied with.**

## ■ MOREMATT Tense

MOREMATT interprets high-pressure stratified laminate in a new way. Compact and extra-thick, with mass coloration, it was developed to offer the finest characteristics that are typical of laminated products, with special emphasis on decorative appearance.

Morematt laminate features 3/5 gloss opaqueness with a satiny, silky feel and has a special surface treatment that eliminates the effect of sweaty, oily fingerprints to remain intact and stain-free.

Thanks to its great surface strength, it's suited for domestic usage, where special resistance to abrasion and scratching is especially needed.

### Main properties

- Resistant to scratching, abrasion and heat
- Resistant to dry heat
- Resistant to fingerprints
- Soft touch
- Unaffected by steam
- Stable when exposed to light
- Resistant to stains, and to domestic solvents and reagents

## ■ RESIN Yale Low Table • Desk • Colors/ Colors Extra/Colors Extension T • T Table • Ext-Table

### TECHNICAL SPECIFICATIONS

The resin is composed of natural minerals and very fine acrylic, mass-pigmented in white. The most advanced production process ensures the highest quality of the surface and high technical performance.

### Technical specs:

- It does not absorb: it is non-porous and extremely resistant to stains
- Its colour does not change over years
- It is ecological and hygienic thanks to the acrylic resin
- Easy to clean: no special care is required. For everyday cleaning, simply use a damp cloth and a soft cleanser.  
Stubborn stains, scratches and small cigarette burns can be removed with an abrasive creamy detergent.

## ■ HPL (mass colour) T Table

High pressure laminate (HPL) in thickness 10 mm, is composed of several layers of paper soaked in thermosetting resin and compacted in a heating- and high pressurizing process. The result is a stable product with physical and chemical characteristics that are very different from the elements used to make it. Due to the high temperature and pressure treatment in the production process, HPL is an extremely strong material: resistant to scratches, hits, abrasions, chemicals and heat.

### Maintenance:

HPL does not require any specific maintenance, only regular cleaning is suggested. The compact, non-porous surface can be easily cleaned and disinfected with warm water or steam and with all types of common detergents and disinfectants for home use, as long as they are not alkaline.

HPL is also very durable, therefore only a few precautions are necessary:

- avoid using strong acids or bases
- avoid rubbing the surface with very abrasive substances or tools (such as sandpaper or scour pads).

HPL is anti-static, and therefore does not attract dust. It does not require waxing or treatments with products containing wax. On the contrary, these products tend to form a sticky film on the surface which traps dirt.