

GEMMA

Design by Karim Rashid 2013



Sedia | Chair | Stuhl | Chaise | Silla

Materiale | Material | Material | Matériau | Material:

Polietilene (PE) stampato in rotazionale.

Rotomoulded polyethylene (PE).

Polyethylen (PE), hergestellt im Rotomoulding-Verfahren.

Polyéthylène (PE) moulé par rotomoulage.

Polietileno (PE) moldeado en rotomoulding.



100%

2 anni
years
garanzia
guarantee



Pesi | Weights | Gewicht | Poids | Pesos

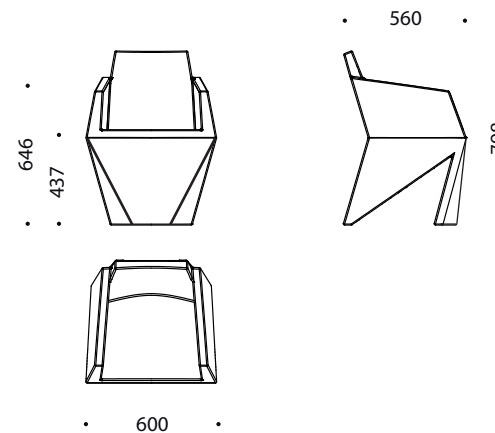
kg

Peso netto Net weight Nettogewicht Poids net Peso neto	11,00
Peso lordo Gross weight Bruttogewicht Poids brut Peso bruto	14,00



Kg 110

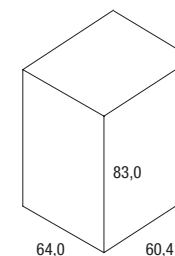
GM01



Dimensioni Measures Abmessungen Dimensions Dimensiones

cm

L	W	B	L	A	64,0
P	D	T	P	P	60,4
H	H	H	H	H	83,0



m³ 0,31

Colori | Colours | Farben | Couleurs | Colores

Bianco White Weiß Blanc Blanco	
Nero Black Schwarz Noir Negro	
Rosso Corallo Coral red Korallenrot Rouge corail Rojo coral	
Verde Pastello Pastel Green Pastellgrün Vert Pastel Verde Pastel	
Fucsia Hollywood Hollywood Fuchsia Hollywood Pink Fuchsia Hollywood Fucsia Hollywood	