

systemtronic

datasheet INPER



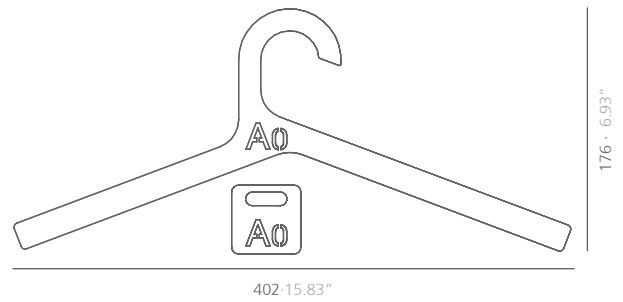
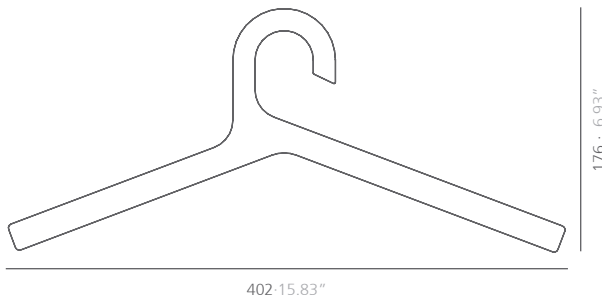
General description:

Stylish and lightweight hangers made in sandblasted aluminium available with alphanumeric identification or without it. This hangers complement the other systemtronic products as: Inlin, Buraco, Pointo, Climb... Minimum order of 10 units is required for alphanumeric identification (0-9). Code letters according to availability of stock.

Designer: STC Studio

Technical description:

Material: Aluminum



SI units: mm

Finish:

Consult for special dimensions or any other modification.