

systemtronic

datasheet DROP OUT



General description:

Original umbrella stand made of galvanized steel sheet with two separate buckets, one for long umbrellas and another bucket for folding ones, the colours of both can combine.

Designer: Paloma Gil.



Descripción Técnica:

DROT

·Materials:

Main structure+small umbrella stand: galvanized steel.
Water collects: polystyrene.

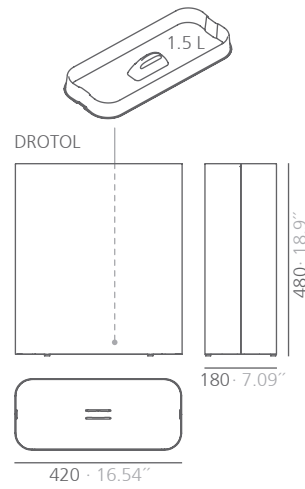
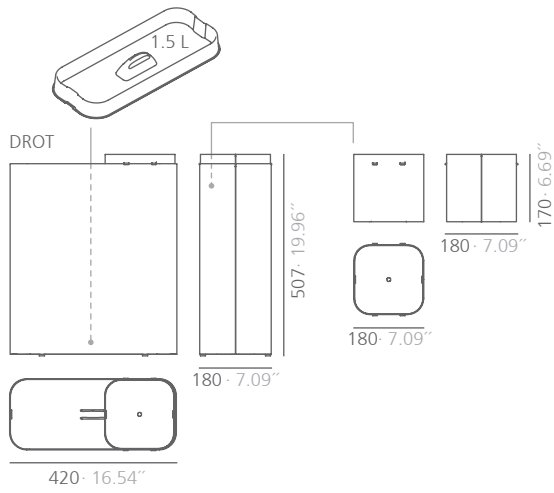
·Dimensions: 420x180x507mm 16.54x7.09x19.96"

DROTOL

·Materials:



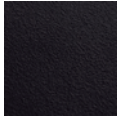
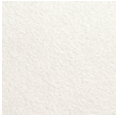



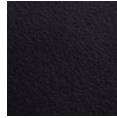


Main structure without small umbrella stand: galvanized steel.
Water collects: polystyrene.

·Dimensions: 420x180x480mm 16.54x7.09x18.9"



SI units: mm and inches.

Finishes:

Main structure			Small umbrella stand						
									
textured white RAL 9003	textured forged grey	textured black RAL 9011	textured white RAL 9003	textured forged grey	pistachio	orange RAL 2004	textured black RAL 9011	grey beige RAL 1019	mustard RAL 1012
*Polyester paint									

Consult for special dimensions or any other modification.