

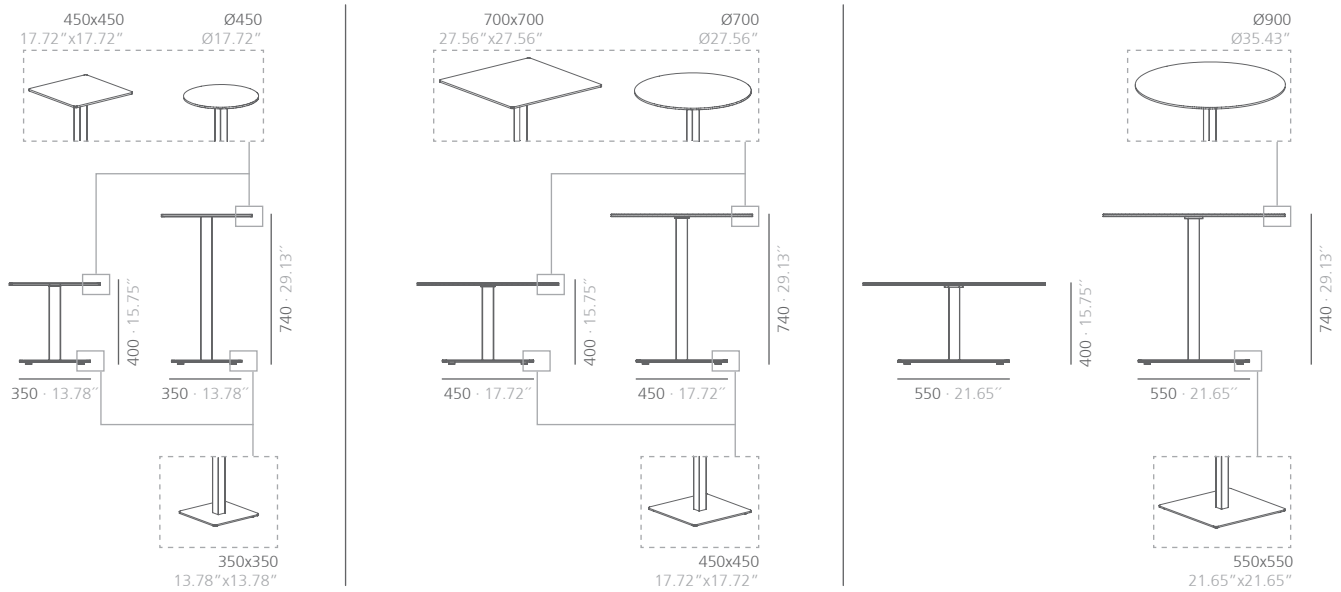
**systemtronic**  
datasheet BADA





## HPL TOP

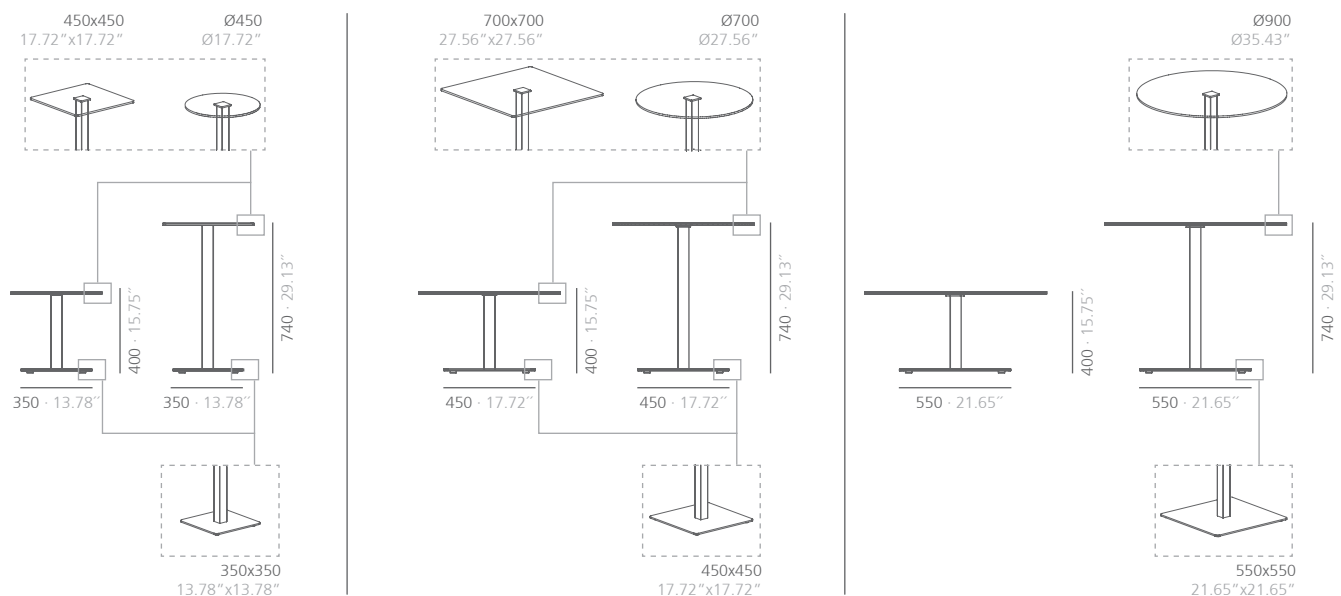
Large collection of tables with white or black compact HPL (High Pressure Laminated) tops, extruded aluminium columns, and squared steel bases covered with paint, onto a primer coat: white, black or forged gray. There are three different table heights and two shapes of table tops, squared and round, with three dimensions.



SI units: mm and inches.

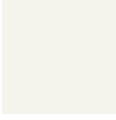
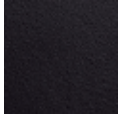

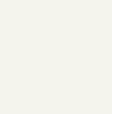
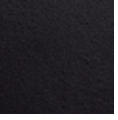


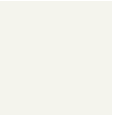


## GLASS TOP

Large collection of tables with tempered glass table tops, extruded aluminium columns, and squared steel bases covered with polyester paint, onto a primer coat: white, black or forged gray. There are three different table heights and two shapes of table tops, squared and round, with three dimensions.



SI units: mm and inches.

## Finishes:

Base	Column	Top
  	   	  
white RAL 9010	white RAL 9010	white
black RAL 9011	black RAL 9011	black soft
forged grey	forged grey	tempered glass
*Polyester paint		

Consult for special dimensions or any other modification.