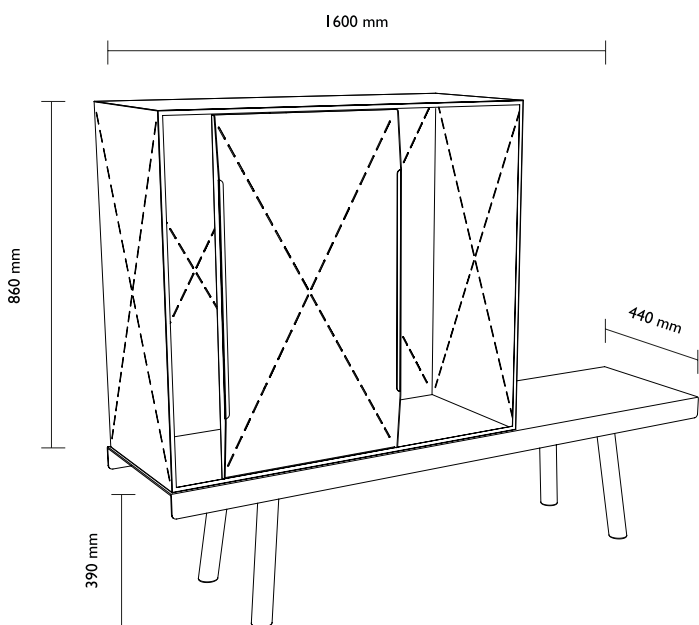


TAUBER CABINET

Design by Sebastian Herkner



The idea behind the design of Tauber Cabinet is based on the dealing with conventional coverings of ventilation shafts.

The typical character of surfaces, covers and structures made of metal is rudimental of the design and the construction.

The diagonal bends of the brass plate are important for the stability as well as the pattern. The collection consists of the cabinet, the bench and the containers.

The Tauber Cabinet is a symbiosis between a bench and a sideboard.

Colours
RAL 6011 reseda green
RAL 9005 jet black
yellow galvanized

Order-no.
9502RG
9502S
9502GZ

Product Cabinet
Dimensions Cabinet: 960 mm x 420 mm x 860 mm
Bench: 1600 mm x 440 mm x 390 mm
Material Cabinet: steel 1.0 mm, powder coated
Bench: steel 2.0 mm, powder coated
Weight (net) 20 kg
Country of origin Germany

pulpo

Ursula L'hoste
Riesgässchen 9
79539 Lörrach | Germany

Phone: +49 (0)7621 168 01 03

info@pulpoproducts.com