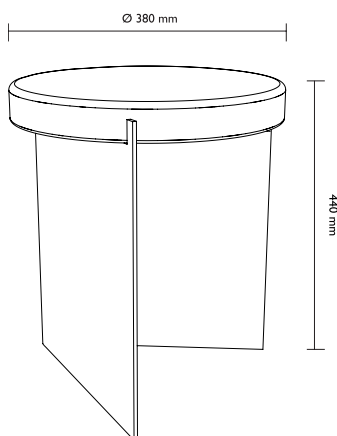


# ALWA I

Design by Sebastian Herkner



one table, two bases.

Sebastian Herkner wanted to create glass in a new way, something solid and unique. He is fascinated by cast glass, compared with mouth blown glass elements, which have a specific wall thickness, Alwa tables have a tabletop made of 50 mm cast glass. The liquid glass is left in a special metal mold to solidify for several days. The air bubbles in the glass give each tabletop a unique character. The appearance mimics the aesthetic of water. Alwa is a side table made of cast glass, balanced on a metal frame.

## Colours

glass table plate cobalt blue / base chrome  
glass table plate cobalt blue / base blue powder coated  
glass table plate yellow / base chrome  
glass table plate yellow / base black powder coated  
glass table plate green / base chrome  
glass table plate green / base black powder coated  
glass table plate grey / base chrome  
glass table plate grey / base black powder coated  
glass table plate transparent / base chrome  
glass table plate transparent / base black powder coated

## Order-no.

5500B-CHR  
5500B-B  
5500Y-CHR  
5500Y-D  
5500GRE-CHR  
5500GRE-D  
5500G-CHR  
5500G-D  
5500T-CHR  
5500T-D

## Product

### Dimensions

Side table

Height 440 mm

Diameter 380 mm

### Material

Base steel 5 mm  
powder coated or chrome  
casted glass

### Country of origin

Germany

pulpo

Ursula L'hoste  
Riesgässchen 9  
79539 Lörrach | Germany

Phone: +49 (0)7621 168 01 03

info@pulpoproducts.com