

Molteni & C

D.153.1 ARMCHAIR — GIO PONTI 1953 / 2012

1—
2



Designed in 1953, the D.153.1 armchair is part of the furniture of Gio Ponti's private house in via Dezza in Milan. This re-edition is produced by Molteni&C based on the original drawings from the ponti archives. Brass structure, cover in bicolor white-blue leather or "Punteggiato" fabric, designed by Ponti for Rubelli in 1934. The fabric reinterprets the age-old technique of velvet-weaving, bringing it up to date with contemporary patterns, such as close sequences of staggered disks with various gradations of colour. Exhibited at the Salone del Mobile 2012, the D.153.1 chair enriches the Gio Ponti furnishing Collection.

DATASHEET

REGISTERED
DESIGN

VII.2016

molteni.it

Dimensions in millimeters and inches. The right to discontinue and make changes is reserved. This information is based on the latest product information available at the time of printing.

D.153.1
ARMCHAIR—
GIO PONTI
1953 / 2012

Molteni & C

2—
2

FINISHES

Made with brass frame.

COVERS

- Two-coloured leather White L212/blue L100
Paper white S1211/sand S1222
Dove grey L209/dark brown L216
- *Punteggiato* velvet designed by Gio Ponti in 1934, in colours from the Molteni Collection range
- Fabrics and leathers from the Molteni Collection range

The remove of cover must be done by a skilled person.

Available in fire-resistant version (TB117 and BS5852).

TECHNICAL INFORMATION

UPHOLSTERED STRUCTURE

Frame in solid Fir (*Picea abies*) with elastic straps, covered in custom polyurethane in different thicknesses.
Bonded velveteen lining.

ARMREST

In solid Fir covered in custom polyurethane. Bonded velveteen lining.

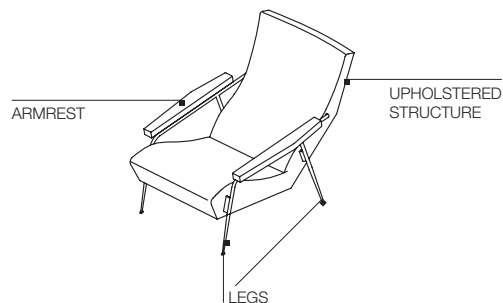
LEGS

In heat-sealed steel with a satin brass finish. Feet in non-slip plastic.

OUTER COVER

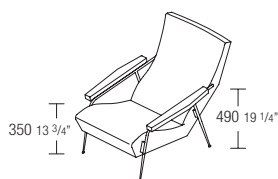
(See attached card, specific for each cover).

Note: Covers are difficult to remove.



DIMENSIONS

W 770 D 1030 H 800
W 30 3/8" D 40 1/2" H 31 1/2"



D.153.1

DATASHEET

REGISTERED
DESIGN

VII.2016

molteni.it

Dimensions in millimeters and inches. The right to discontinue and make changes is reserved. This information is based on the latest product information available at the time of printing.