

Molteni & C

CAMDEN — RODOLFO DORDONI 2017

1—
3



The Camden seating collection, which includes sofas with backrests of different heights and chaise longue features a simple design. The dimensions are suitable for public spaces and there is a wide range of finishes mid way between home and contract.

DATASHEET

REGISTERED
DESIGN

V.2017

moltenigroup.com

Dimensions in millimeters and inches. The right to discontinue and make changes is reserved. This information is based on the latest product information available at the time of printing.

FINISHES

COVERS

fabric - leather, completely removable.

STRUCTURE FINISH

pewter colour

Available in fire-resistant version (TB117 and BS5852) for a 10% surcharge.

Molteni & C

TECHNICAL INFORMATION

BASE

Aluminium painted in pewter colour set on plastic floor slides.

SEAT (SOFAS AND POUF)

Internal structure is a solid firwood (Picea abies) frame and chipboard, with elastic straps. Padding in variable density high-resistance foam polyurethane. Light velvet cover.

BACKREST (MODELS WITH LOW BACKREST)

Internal structure in Polimex (a composite polyester/polyurethane material) covered with high performance variable density polyurethane foam. Cover in bonded velveteen.

BACKREST (MODELS WITH HIGH BACKREST)

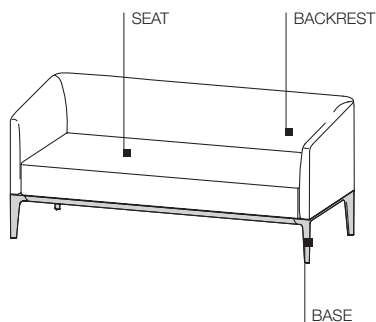
Metal frame with elastic bands. Flexible cold moulded polyurethane foam. Cover in bonded velveteen with resin coated side.

REMOVABLE OUTER COVERS

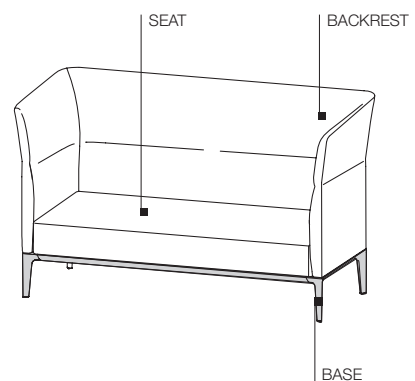
(See attached card, specific for each cover).

2—
3

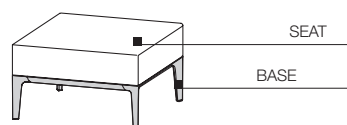
LOW BACKREST SOFAS



HIGH BACKREST SOFAS



POUF



DATASHEET

REGISTERED
DESIGN

V.2017

DIMENSIONS

Molteni & C

3—
 3

low sofa

W 1600 D 710 H 740
 W 63" D 28" H 29 1/8"



DB160

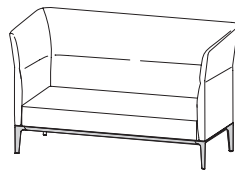
W 2000 D 710 H 740
 W 78 3/4" D 28" H 29 1/8"



DB200

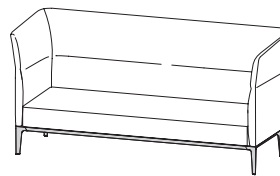
high sofa

W 1720 D 770 H 1090
 W 67 3/4" D 30 3/8" H 42 7/8"



DA160

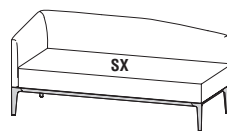
W 2120 D 770 H 1090
 W 83 1/2" D 30 3/8" H 42 7/8"



DA200

end element

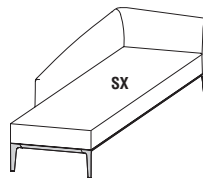
W 1610 D 710 H 740
 W 63 3/8" D 28" H 29 1/8"



TE161 dx-sx

chaise longue

W 710 D 1610 H 740
 W 28" D 63 3/8" H 29 1/8"



CL161 dx-sx

pouf

W 720 D 720 H 440
 W 28 3/8" D 28 3/8" H 17 3/8"



PF7/70

single cushion

W 500 H 500
 W 19 3/4" D 19 3/4"



CU/50

DATASHEET

REGISTERED
 DESIGN

V.2017