

ALETA STOOL by Jaime Hayon 2018

Inspired by the physiognomy and movement of sharks, Jaime Hayon has created the ALETA collection for Viccarbe.

The collection is designed and created for use in public spaces like restaurants, hotels or offices as well as residential spaces.

Composed of a chair and stool. The subtle details in the structure of the legs and the continuous movement towards its backrest, reflects the personality and character of Jaime Hayon.

JAIME HAYON

Spanish artist-designer Jaime Hayon was born in Madrid in 1974. After studying industrial design in Madrid and Paris he joined Fabrica – the Benetton-funded design and communication academy in Italy- in 1997 where he directed the design department until 2003. Hayon set up his own studio practice in the year 2000 and dedicated himself fully to his personal projects from 2003 onward, today he is one of the most acclaimed creators worldwide.

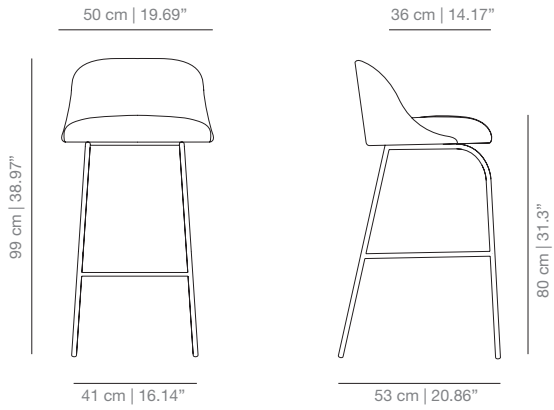
He has created furniture ranges for iconic danish company Fritz Hansen, Magis, Established and Sons, Bisazza, B.D. Barcelona, Se London, Bernhardt Design, Ceccotti and

Moooi. Hayon has designed various lighting fixtures collections for Metalarte and also in collaboration with Swarovski and Baccarat. He has created accessories for Piper Heidsieck, Gaia and Gino and The Rug Company. He designed his first wristwatch collection for a new Swiss watch brand OROLOG which launched in late 2013. These collections have put Jaime at the forefront a new wave of creators that blurred the lines between art, decoration and design and a renaissance in finely-crafted, intricate objects within the context of contemporary design culture.

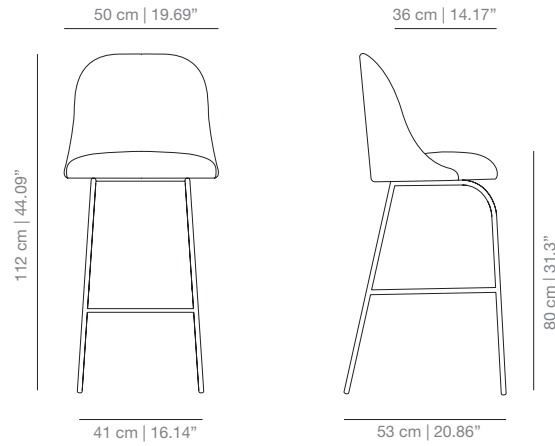
With offices in Italy, Spain and Japan, Hayon's main interest is to find challenges and new perspectives continuously.

DIMENSIONES

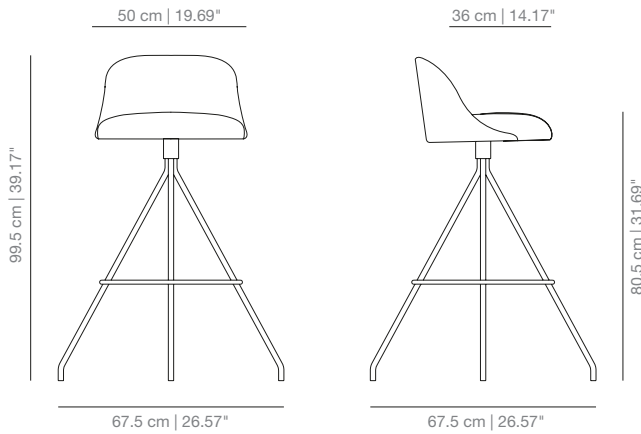
ALTA taburete bar



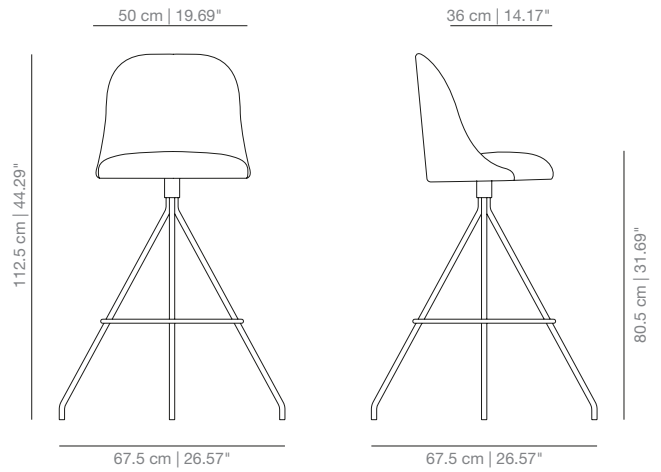
ALTAH taburete bar alto



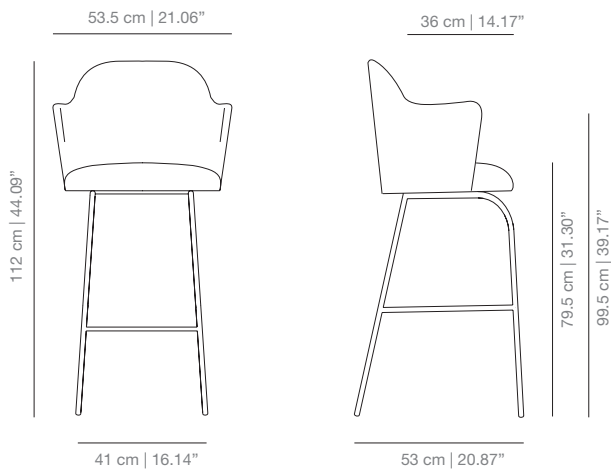
ALTABAR taburete bar giratorio



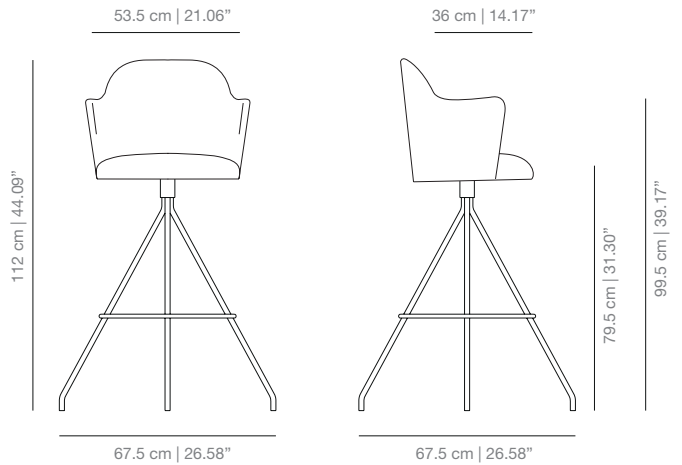
ALTABARH taburete bar giratorio alto



ALTAHBR taburete bar alto con brazos

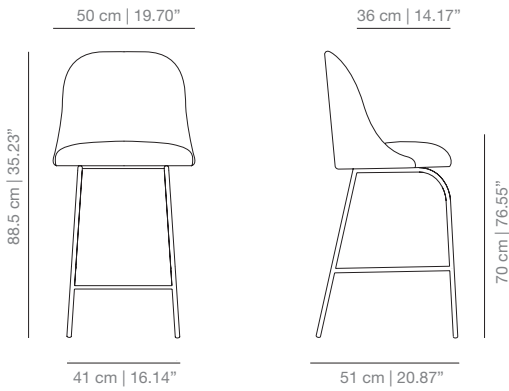


ALTABARHBR taburete bar giratorio alto con brazos

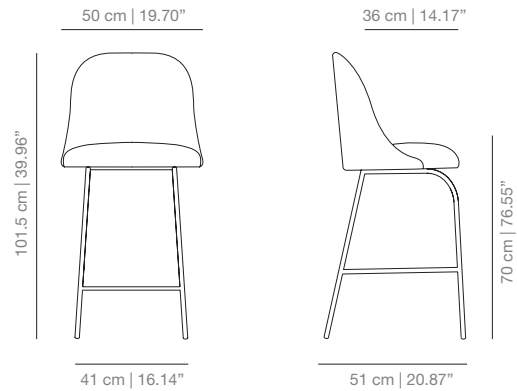


DIMENSIONS

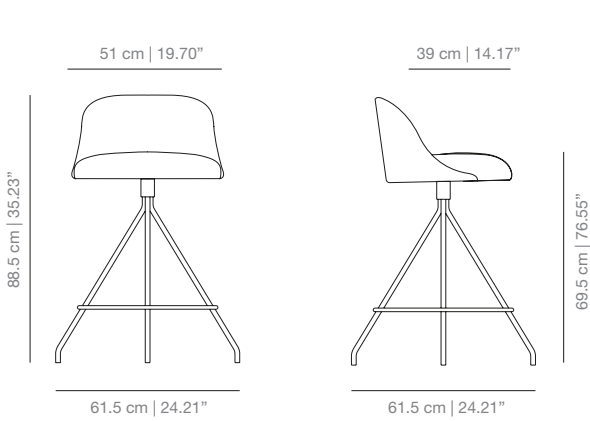
ALTAFC counter stool



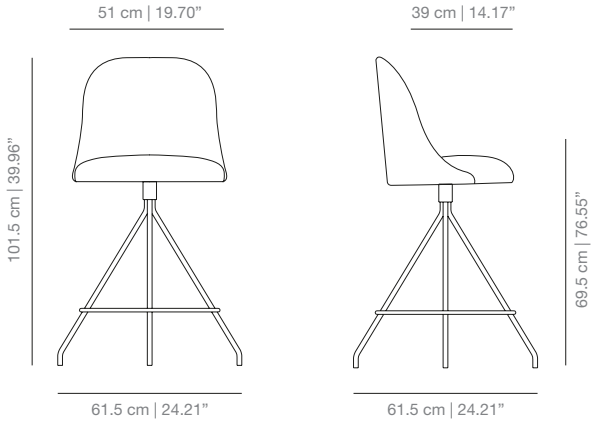
ALTAFCH high counter stool



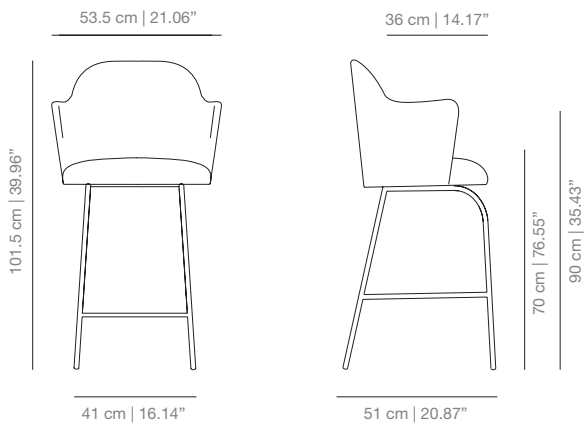
ALTACO swivel counter stool



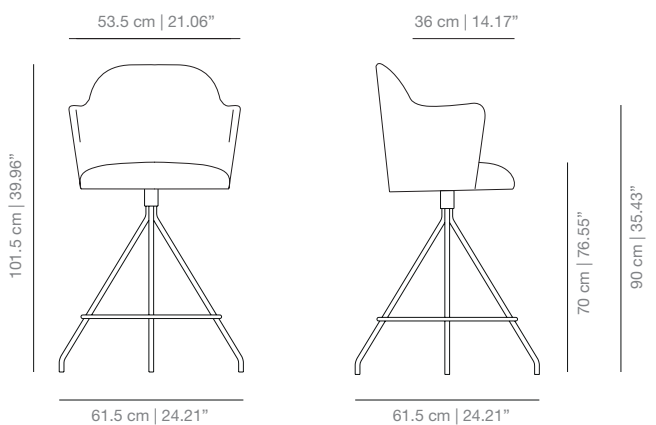
ALTACOH high swivel counter stool



ALTAFCHBR high counter stool with armrest



ALTACOHBR high swivel counter stool with armrest



TECHNICAL INFO

Welded seat and backrest moulded in plywood coated with expanded polyuretane foam.

Base options:

METAL BASE: Calibrated steel structure powder coated in thermoreinforced polyester in white, black, sand or altea blue.

WOODEN BASE: Base in solid oak wood stained with the finishes of our collection.

STOOL: Calibrated steel structure powder coated in thermoreinforced polyester in white, black, sand or altea blue and footrest in stainless steel.

CASTER BASE: Aluminum swivel base powder coated in white or black (high gloss), height adjustment system and soft casters.

SWIVEL BASE: Calibrated steel swivel structure powder coated in thermoreinforced polyester in white, black, sand or altea blue.

SWIVEL COUNTER STOOL: Calibrated steel swivel structure powder coated in thermoreinforced polyester in white, black, sand or altea blue and footrest in stainless steel.

SWIVEL BAR STOOL: Calibrated steel swivel structure powder coated in thermoreinforced polyester in white, black, sand or altea blue and footrest in stainless steel.

FINISHES

Upholstery

Check upholstery samples

STRUCTURE



brass

in metal base chair, bar stool and counter stool

Powder coated



white
RAL 9003



black
RAL 9005



altea blue
RAL 5000



sand
NCS 3005Y50R

Stained (Oak)



matt
oak



wenge



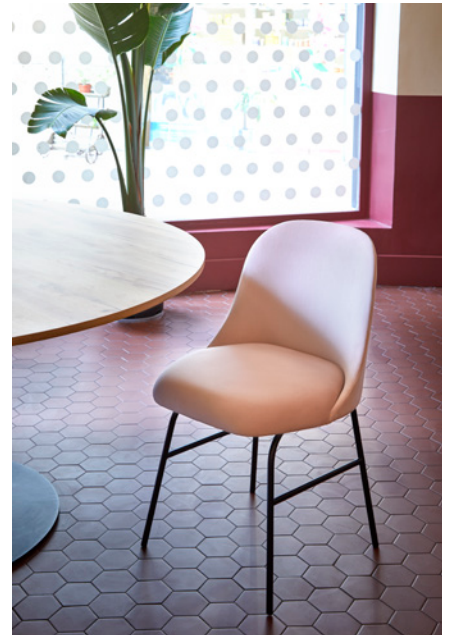
cognac



ash

CERTIFICATES

ANSI BIFMA X5.4-2012
(metal base chair, stool, high stool)



PROJECTS

Tago Mago | La Chipirona | Mar d'Avellanes | Aqua Hotel Silhouette & Spa | The Square Restaurant