



Sofa with high backrest

Technological innovation within a thorough and minimal design. Sofas with a mainly domestic seat: a simple, rigorous and essential design that incorporates a mechanism of the latest generation that allows for a highly precise electronic adjustment of both the backrest and the seat, independent of each other.

The armrest features a pronounced design of the silhouette: the shell is very thin next to the seat, then it grows larger in the supporting section, accommodating inside it a comfortable upholstery.

#### Frame

Filled with varnished metal supporting structure, upholstery in variable density expanded polyurethane and cover in polyester wadding.

**Sled base** in H16 cm made of aluminium die-casting with polished finish or painted in the following colours: matt white or matt anthracite grey.

Available in three sizes, with low backrest H68 or high backrest H80, fixed or movable.

#### Adjustable backrest and seat

An innovative electrically-controlled system allows to tilt the backrest and to increase the seat to adapt it to different comfort requirements. Height-adjustable backrest to 30°, while the seat can be adjusted to increase its depth up to +15 cm.

The system consists of an electric motor (24V, 50W, CE compliant), a battery (lithium ions 1180 mAh, CE compliant), a transformer-motor control unit (230V, 50Hz, 5W CE compliant) and a cordless radiofrequency remote control (2.4 GHz, CE compliant).

It works with a rechargeable battery.

**Universal multi-voltage battery charger (100/240V).**

#### Cover

The upholstery in fabric covers every part of the sofa and is completely removable.

Optional extra covers are available if required. All units in leather may have, depending on their size and at MDF Italia's discretion, one or more seams. For the choice of the upholstery, please see the table on page 1.69, as well as the "fabric collection" section on the website.

With customer's own leather, in order that the product is properly manufactured, the leather piece must be larger than 5 sqm and with no defects, such as scars or holes.

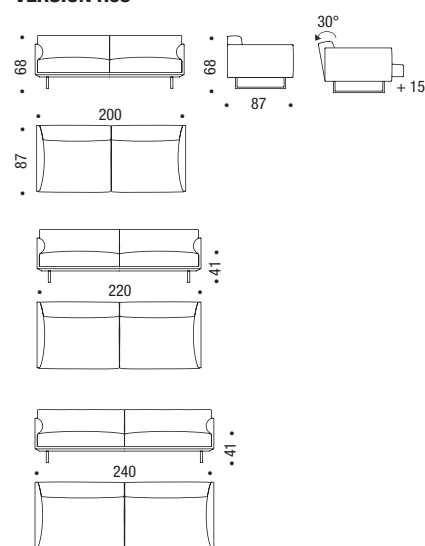
#### Optional cushions

Dedicated 50x50 cushions with remote control pocket.

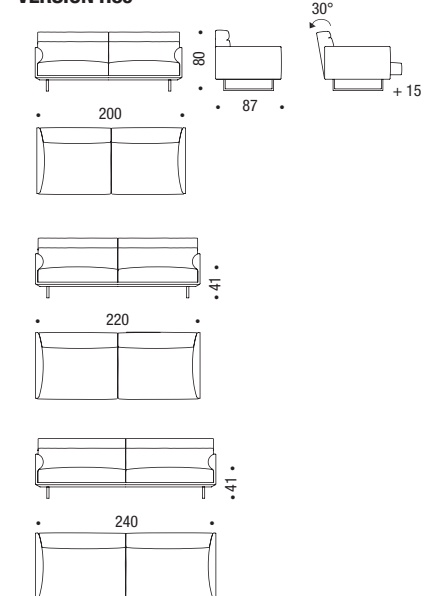
Made of polyether, and with fabric or leather cover. Removable.

Optional extra cover is available if required.

#### VERSION H68



#### VERSION H80



# CUSHIONS

---



---

## Loose cushions

In solid colour with down filling covered with cotton. This makes removing the cover easier and the cushions maintain their good looks even when uncovered.

Extra covers available.

Dims: 30x50 cm, 40x40 cm o 55x55 cm

## Sets of cushions

Sets of decorative cushions for the sofa collection.

Upholstered with fabrics that, though different in weft and composition, maintain a pleasant uniformity in colour:

- fabric Quarzo white
- fabric Florite ochre
- fabric Galena sand
- fabric Pirite brown/grey

Each set is composed of 4 square cushions in down.

The dims are 45x45 or 55x55cm.