

# systemtronic

datasheet SITA



General description:

Screen in the Air, (Sita) is a support for televisions and monitors versatile and ideal both for houses, common zones or hotel rooms. It stands out for its elegant back which hides electrical connections providing an well-kept look. To include de CVD and HI-FI equipment, exist a version with a shelf, or you can attach a container module that completes the set.

Designer: STC Studio.



Technical description:

Maximum size: 55"  
Maximum weight: 20kg

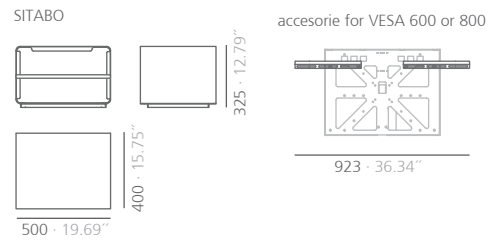
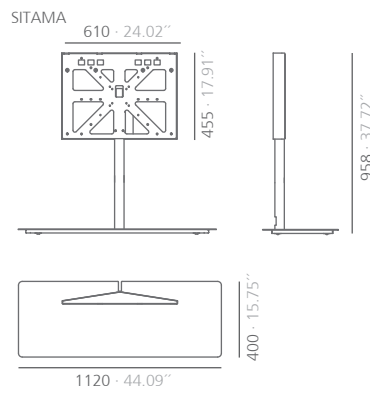
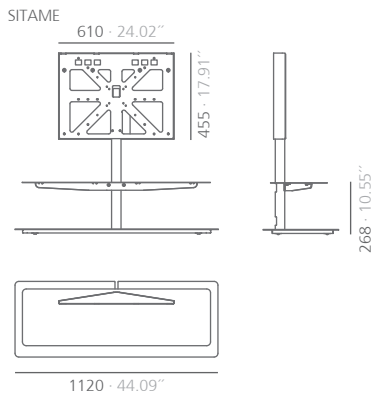
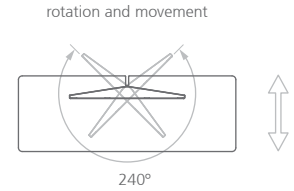
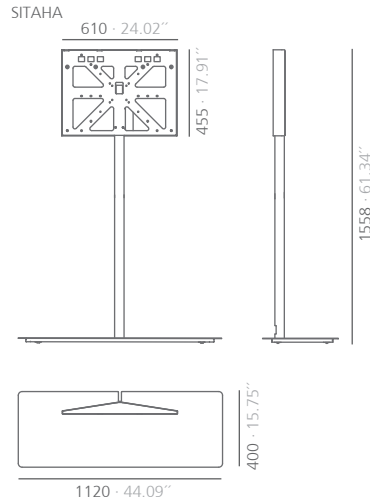
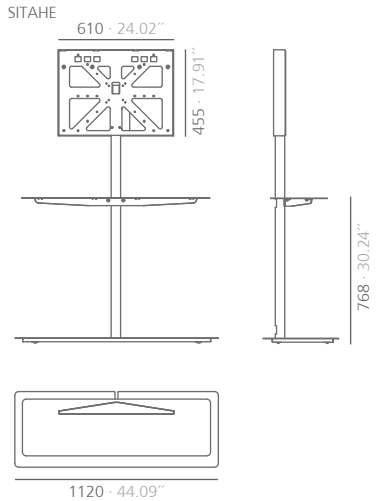
**SITAHA**  
·Materials: steel  
·Dimensions: 1120x400x1558 mm  
44.09"x15.75"x61.34"

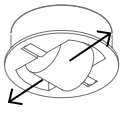
**SITAMA**  
·Materials: steel  
·Dimensions: 1120x400x958 mm  
44.09"x15.75"x37.72"

**SITAEH**  
·Materials: steel  
·Dimensions: 1120x400x1558 mm  
44.09"x15.75"x61.34"

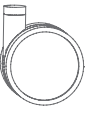
**SITAMA**  
·Materials: steel  
·Dimensions: 1120x400x958 mm  
44.09"x15.75"x37.72"

**SITABO**  
·Materials: steel  
·Dimensions: 500x400x325 mm  
19.69"x15.75"x12.79"





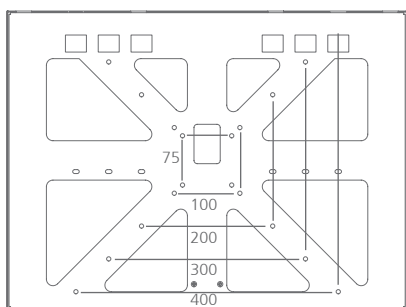
Its design includes 4 small wheels which facilitate forward and backward movement.



Rotary movement of the set can be obtained equipping the optional wheel kit.

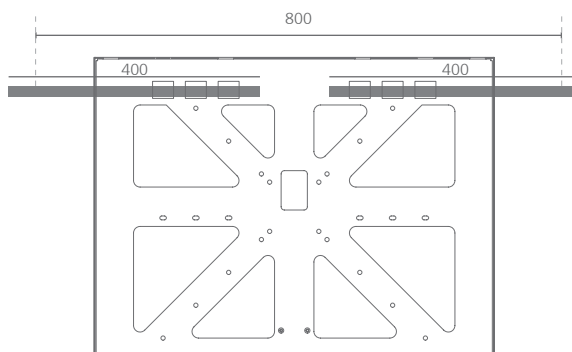
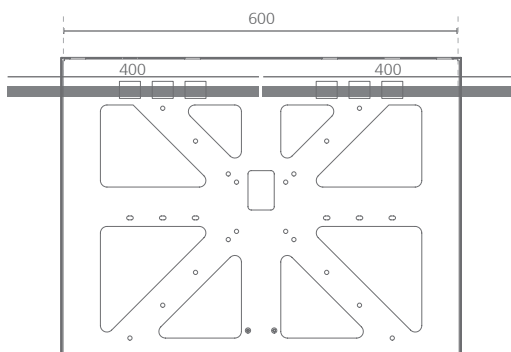
SI units: mm and inches

VESA distacnces permitted without adapters.

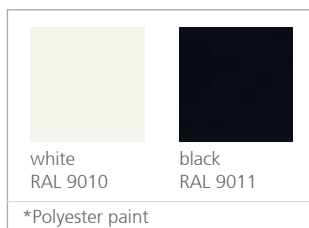


75x75  
100x100  
200x200  
300x300  
400x400

ADAPTERS: Optional adapters allow to hold the VESA 600 and 800



Finishes:



Consult for special dimensions or any other modification.