

**systemtronic**  
datasheet NASKI



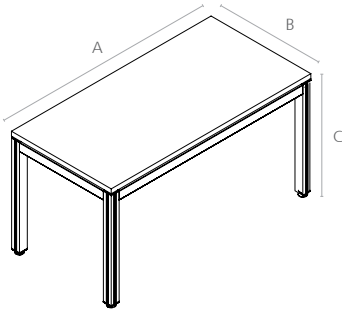
General description:

Anodized silver matt aluminium structure (consult for painted structure).  
3 different legs: Squared feet, adjustable feet or wheels.

Designer: STC Studio.

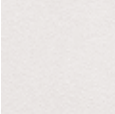

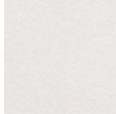
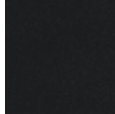



## Dimensions:



A		B		C	
mm	"	mm	"	mm	"
1600	62.99	800	31.50	740	29.13
1800	70.87	600	23.62	740	29.13
1800	70.87	800	31.50	740	29.13

## Top:

Melamine chipboard tabletop		Outdoor version: HPL tabletop		Glass tabletop	
					
white soft	black soft	white soft	black soft	tempered glass	

## Finishes:

