

# systemtronic

datasheet INLIN



General description:

Coat rack formed by two columns of anodized aluminium with a matt silver finish, there are two versions with wheels or adjustable feet. Its steel base and bottom rail may have a white or forged grey finish. The upper crossbar is in chrome. The inlin 758 mm width allows to adapt an adjustable wire shelves in height, and a lid to the base.

Designer: STC Studio.



### Technical description:

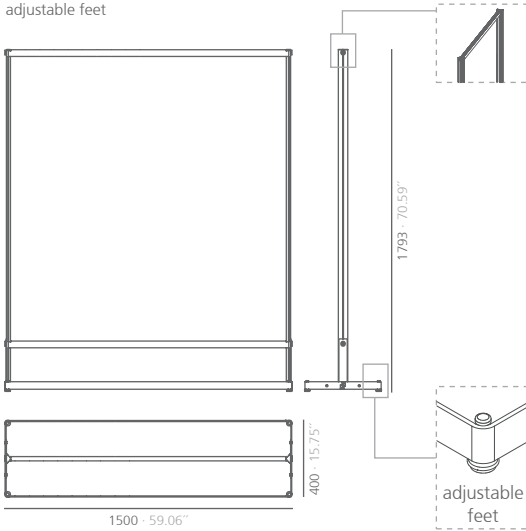
#### Materials:

INLEST shelf adjustable in height: Steel.  
 INLBAS base cover: Steel.  
 Beam with multi fixed hangers (INLD15PF and INLD15RD): Steel.  
 Top crossbar: Chromed steel.  
 Lower crossbar: Chromed steel.  
 Base: Steel.  
 Columns: Aluminum extrusion.  
 Reinforcement: Steel.

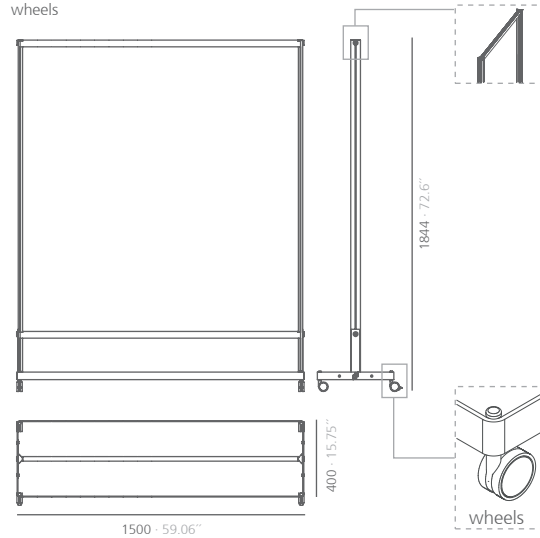
#### Dimensions:

INL7PF: 758x400x1793mm 29.84x15.75x70.59"  
 INL15PF: 1500x400x1793mm 59.06x15.75x70.59"  
 INL7RD: 758x400x1844mm 29.84x15.75x72.6"  
 INL15RD: 1500x400x1844mm 59.06x15.75x72.6"

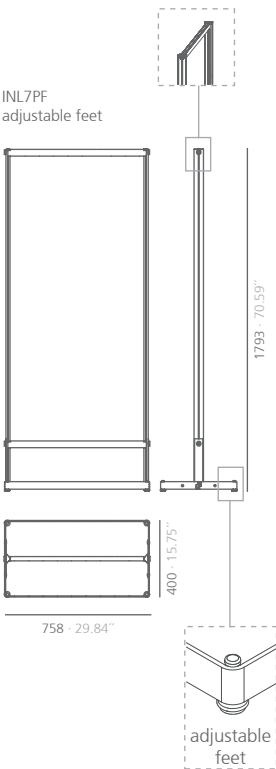
INL15PF  
adjustable feet



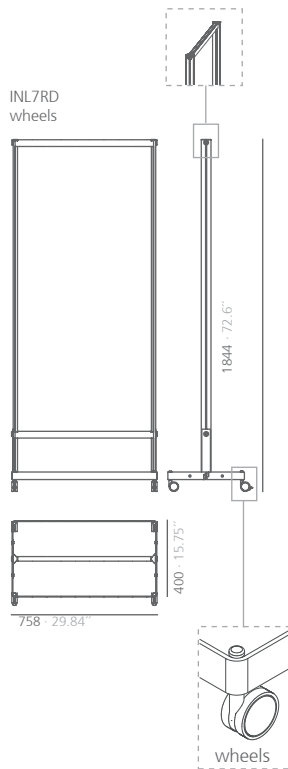
INL15RD  
wheels



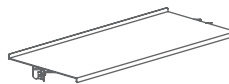
INL7PF  
adjustable feet



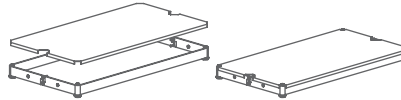
INL7RD  
wheels



INLEST  
shelf adjustable in height  
700x300 - 27.56" x 11.81"




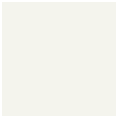


INLBAS  
base cover 763 x 405 mm - 30.04" x 15.94"



SI units: mm and inches

## Finishes:

Base, crossbars and shelf	Columns	Top crossbar
 forge grey	 anodized alum. silver matt	 chromed
 white RAL 9010		