

systemtronic
datasheet BURACO



General description:

Wall hangers made of folded and painted steel sheet.
Its design makes it an interesting functional and decorative element.

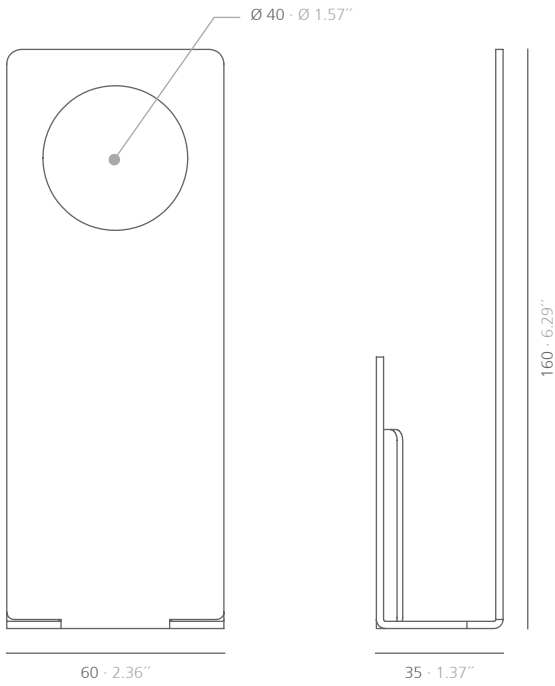
Designer: Estudio Enblanc.



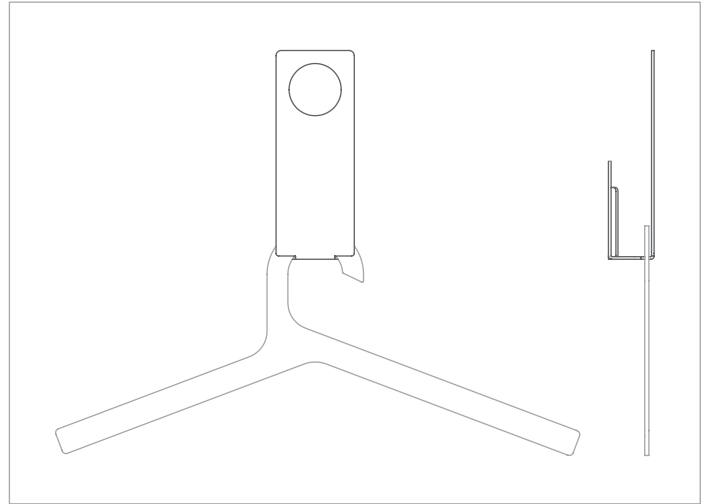
Technical description:

Material: Steel.

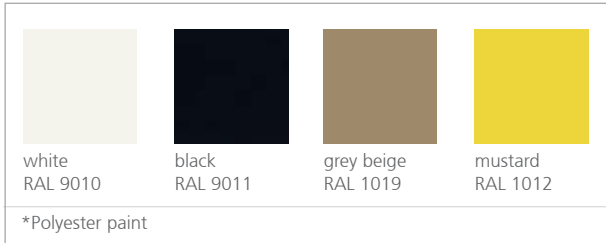
Dimensions: 35x60x160mm 1.37x2.36x6.29 "

BURACO

It allows hanging conventional hangers



SI units: mm and inches

Finishes:

Consult for special dimensions or any other modification.