

Molteni & C

D.235.1 - D.235.2 MONTECATINI CHAIR — GIO PONTI 1938 / 2012

1—
2



Gio Ponti designed everything for the first Montecatini building in Largo Donegani in Milan in 1938, architecture and furnishings including desks, lamps, wardrobes. This re edition is produced based on the original drawings from the Gio Ponti Archives. Entirely built from polished aluminium.

Gio Ponti designed the first Montecatini building at Largo Donegani in Milan in 1938 He designed everything, architecture and furnishings: desks, chairs, lamps and wardrobes. With the approval of the Ponti heirs, in 2014 Molteni is reworking the Montecatini chair, with a seat and seatback covered in hide leather, following the all-aluminium version.

DATASHEET

REGISTERED
DESIGN

VII.2016

molteni.it

Dimensions in millimeters and inches. The right to discontinue and make changes is reserved. This information is based on the latest product information available at the time of printing.

D.235.1 - D.235.2
MONTECATINI CHAIR –
GIO PONTI
1938 / 2012

FINISHES

Entirely built from polished aluminium.
Version with seat and backrest covered in hide leather from the Molteni hide leather range.
Hide leather cover not removable.

HIDE LEATHER FINISHES

natural - black - dark brown
white - ivory - dove grey
red - hazelnut - tobacco
hunter green - mud green - almond

Molteni & C

TECHNICAL INFORMATION

STRUCTURE

Tubular structure in extruded folded aluminium. Glossy finish created by mechanical brushing.

SEAT AND BACK

Unit in moulded aluminium. Glossy finish created by mechanical brushing.

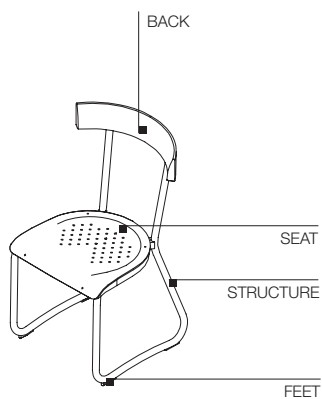
FEET

Plastic.

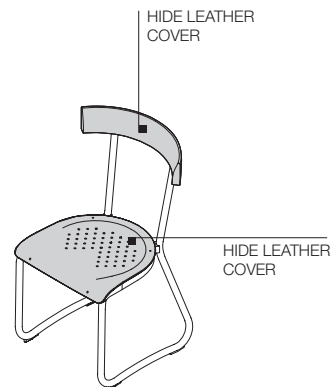
SEAT AND BACK COVER (HIDE LEATHER VERSION)

Non-removable hide leather cover in the colours in the collection.

2—
2



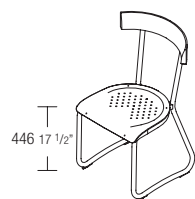
D.235.1



D.235.2

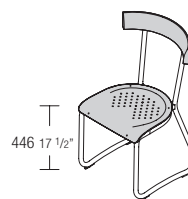
DIMENSIONS

W 507 D 516 H 866
W 20" D 20 3/8" H 34 1/8"



D.235.1

W 507 D 516 H 866
W 20" D 20 3/8" H 34 1/8"



D.235.2

DATASHEET

REGISTERED
DESIGN

VII.2016

molteni.it

Dimensions in millimeters and inches. The right to discontinue and make changes is reserved. This information is based on the latest product information available at the time of printing.