

adjustable
up to 3000
(10')
standard

adjustable
up to 36500
(120')
custom

approx 3.5kg (7.5 lb)

28 is an exploration of fabrication process which is part of Arbel's quest for specificity in manufacturing. Instead of designing form itself, here the intent was to design a system that produces form. Arbel developed a method that has loose parameters built into it which produce a different shape in every iteration of the fabrication procedure. Thus, every 28 made is formally different from any other 28 in existence.

Individual 28 pendants result from a complex glass blowing technique whereby air pressure is intermittently introduced into and then removed from a glass matrix which is intermittently heated and then rapidly cooled. The result is a distorted spherical shape with a composed collection of inner shapes, one of which is made of opaque milk glass and houses a low voltage (12V, 20W) xenon.

28 pendants are designed to cluster in hexagonal shapes which nestle into each other to create patterns as dictated by the needs of the interior. They may also be clustered or composed in an ambient manner similar to their distant cousins the 14's.

Standard 28's are made with clear glass exterior spheres and milk white interior glass cavities. Custom 28's are possible with infinite versatility in colour compositions, sizes and shapes.

APPLICATIONS

Suitable for residential and commercial use. CSA, CE approved; approved to UL standard by CSA. Popular applications to date include clusters over tables in residential dining rooms and restaurants, accessory lighting in living rooms, decorative lighting, linear configurations or clusters over bars and kitchen islands, and large chandeliers in building lobbies and other public spaces.

MATERIALS

Blown glass, braided metal coaxial cable, electrical components and a brushed nickel canopy.

Note: As an alternative to a built-in transformer, Bocci recommends mounting transformers remotely in an easily accessible and hidden location for ease of long-term maintenance.

Purchase replacement lamps online at www.bocci.ca/lamps

Unless otherwise noted when ordering, all chandeliers will be outfitted to be xenon compatible.

Worldwide patents issued and pending.
Made in Vancouver, Canada

For additional information, please contact:

BOCCI Vancouver
info@bocci.ca
www.bocci.ca

BOCCI Berlin
infoeu@bocci.ca
www.bocci.ca

Approved to UL standards by CSA



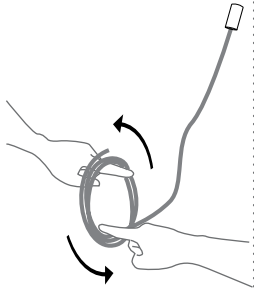
CLUSTER

28.3

Design by Omer Arbel
PRODUCT SPECIFICATION

© 2010, Bocci Design and Manufacturing Inc. All rights reserved. These drawings and the information contained herein may not be reproduced, communicated to the public, or made available in whole or in part without prior permission. Any inquiries should be directed to the following email address: admin@bocci.ca.

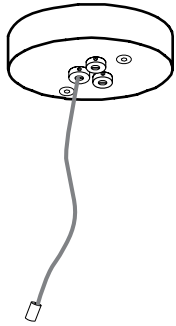
BOCCI



1

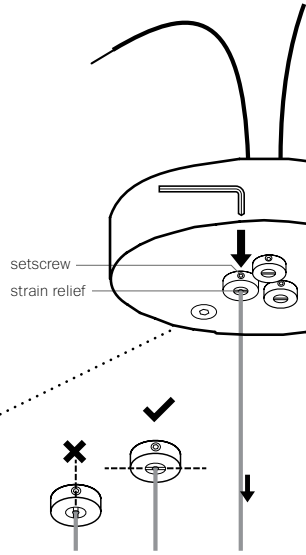
Very carefully uncoil the braided coaxial cable in a spool like manner. Insert your index fingers into opposite sides of the roll then rotate your fingers around each other to unroll the coaxial cable.

Use patience: allow the cable to uncoil completely to avoid kinks.



2

Determine the overall drop for the pendant fixture.



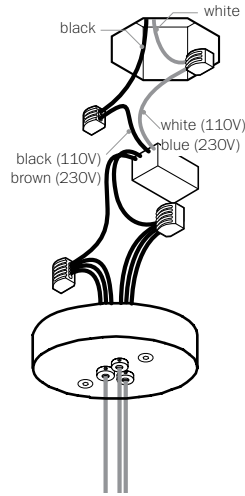
3

To thread the coaxial cables through the canopy, use the Allen key provided to loosen the setscrew in the canopy and gently feed the first cable through the canopy until you have reached your desired drop length. Use the Allen key to tighten the setscrew against the strain relief to secure the coaxial cable at its new length.

DO NOT OVERTIGHTEN.

Thread the remaining coaxial cables through the canopy in the same manner.

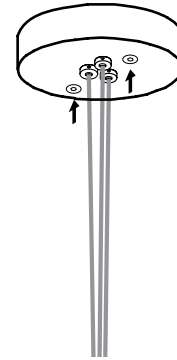
Note: The strain relief is the black plastic collar around the coaxial cable. There is a single slot opening on the side of the strain relief component. It is essential that this opening is oriented at 90 degrees to set screw chamber. There can be no contact between the set screw and the cable.
- RISK OF ELECTRIC SHORT!



4

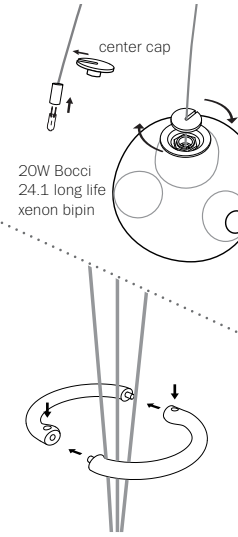
Connect the coaxial cable to the open slots in the terminal block on the 12V side of the transformers. Ensure that the braided outer wires are all connected to one 12V output wire and all inner insulated wires are connected to the other or a short will occur.

Once all the coaxial connections are made, lift the fixture into position and connect the line voltage to the open slot in the appropriate terminal block.



5

Tuck the transformer and wiring into the octagonal box, if available, and place canopy cover plate, lining up the fastener holes or connect directly to structural ceiling surface. Affix canopy cover with fasteners provided.



6

Bocci 24.1.2 long life bipin xenon lamps included. Plug the lamp into the socket. Do not touch the lamp with your bare hands.

Remove the center cap from 28 pendant.

Install 28 pendant by sliding the center cap onto the coaxial cable, gently insert the lamp into the pendant, then tighten the center cap connection by hand.

Do not over tighten.

Remove the protective film from the center cap after assembly.

Note: when using a dimmer for xenon, use only low voltage electronic dimmer.

Gather all the coaxial cables then install the ring with setscrews provided.

Note: setscrews face up.



7

Clean fingerprints from glass surfaces.

Turn fixture on.

Purchase replacement lamps online at www.bocci.ca/lamps

*
For additional assistance, please contact Bocci:

BOCCI Vancouver
info@bocci.ca
www.bocci.ca

BOCCI Berlin
infoeu@bocci.ca
www.bocci.ca

Worldwide patents issued and pending.

Made in Vancouver, Canada

Approved to UL standards by CSA



CLUSTER

28.3

Design by Omer Arbel
INSTALLATION INSTRUCTIONS

© 2010, Bocci Design and Manufacturing Inc. All rights reserved. These drawings and the information contained herein may not be reproduced, communicated to the public, or made available in whole or in part without prior permission. Any inquiries should be directed to the following email address: admin@bocci.ca.

BOCCI